



IMPORTANT

CUTTING OPENING

- * Only a professional stone fabricator is qualified to perform this cut.
- * Measure the length and width of the bowl, then add 1/2" to the length and width. This is the dimension of the opening to be cut into the counter top.

SILICONE CAULKING

- * **MUST** use 100% silicone for this installation.
- * Silicone color should match counter top color as close as possible.
- * If there is **NO** matching color to the counter top, use **CLEAR** silicone.
- * **NEVER** use "SILVER" silicone.
- * **NEVER** perform this procedure outdoors and under direct sunlight.
- * If performed under an extremely hot and dry climate, caulking of the sink frame should be performed by two people at the same time.
- * Immediately install the sink into the counter top opening.

Mila International DUAL-MOUNT Installation Instructions TOP-MOUNT



INTRODUCTION

Thank you for choosing a Mila International, Inc. DUAL-MOUNT sink.

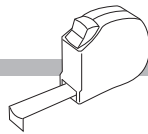
Before you begin:

- Please carefully read these instructions.
- Unpack and inspect the sink carefully. Do not install the sink if it is damaged.
- Save all original packaging and receipts.
- Check and follow all local plumbing codes.

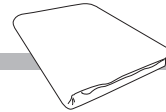
Recommended tools and materials



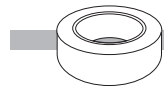
Safety goggles



Tape measure



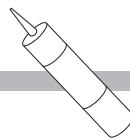
Lint-free wiping cloth



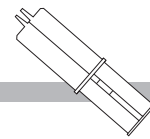
Blue painter's tape



Knife



100% silicone



Epoxy glue

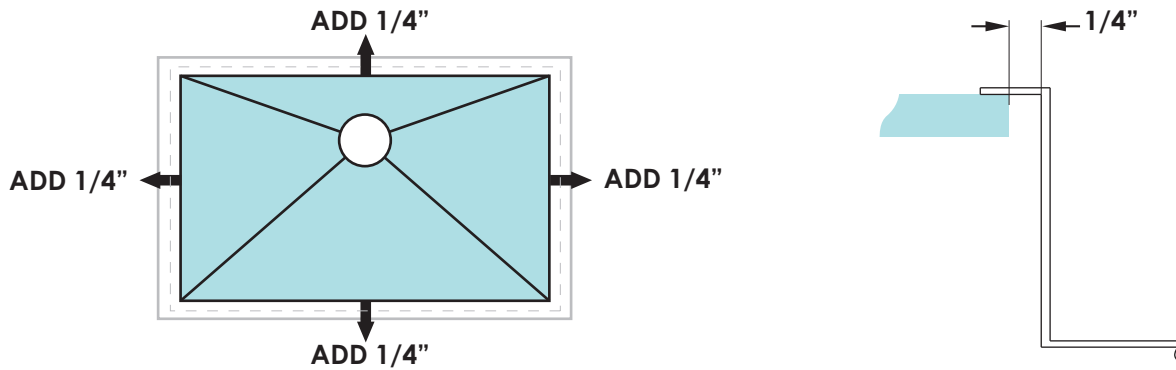
Mila International DUAL-MOUNT Installation Instructions TOP-MOUNT



Step 1: CUTTING OPENING

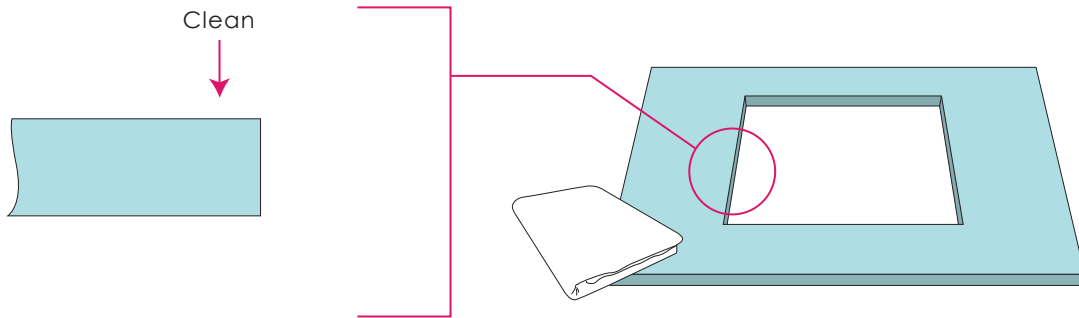
Measure the length and width of the bowl, then add 1/2" to the length and width. This is the dimension of the opening to be cut in the counter top.

IMPORTANT * ONLY A PROFESSIONAL STONE FABRICATOR IS QUALIFIED TO PERFORM THIS CUT.



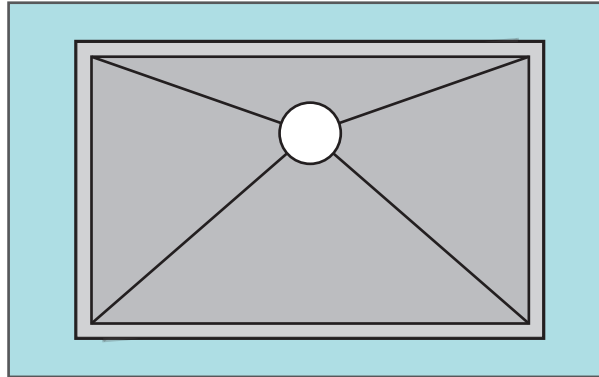
Step 2: CLEANING

Gently clean the counter top and the sink frame to remove all dirt, oil, and contaminants from the surfaces. Do not use any abrasive cleaning solutions that may damage the counter top surface and sink frame.

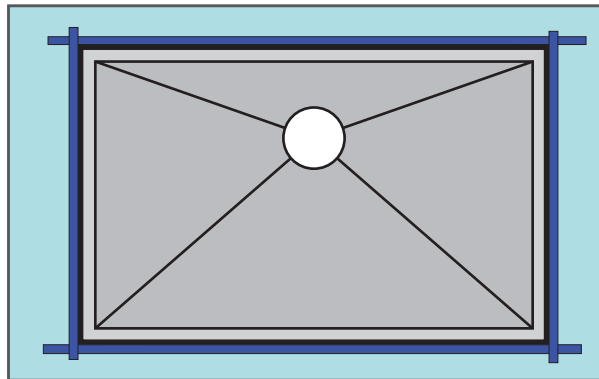
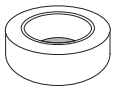


Step 3: COUNTER TOP PREPARATION

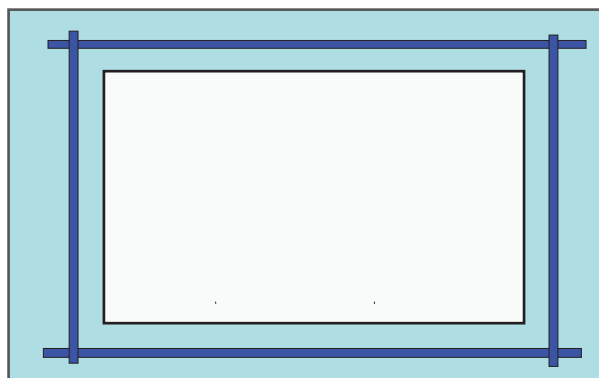
1. Carefully place sink into the counter top opening and align it correctly ensuring that it sits square.



2. Stick blue tape to the counter top to carefully and accurately outline the sink frame.



3. Remove the sink from the counter top, leaving the blue tape guide for installation.



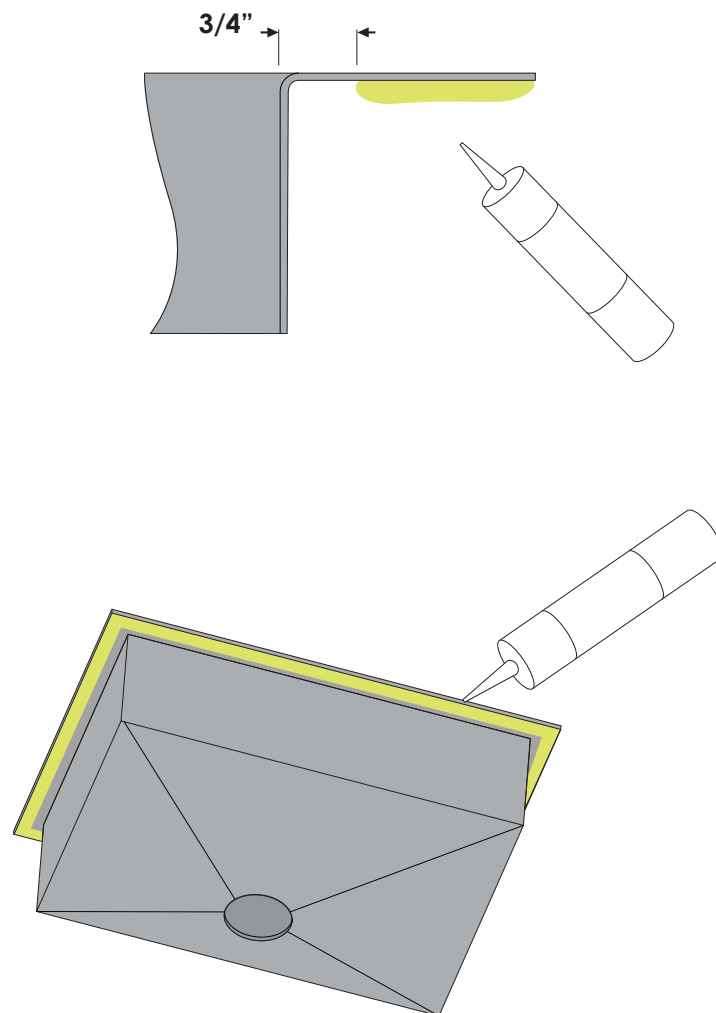
Step 4: SILICONE CAULKING

IMPORTANT

*** Immediately install the sink into counter top opening once.**

Butter coat the bottom of the sink frame with a thin coat of 100% silicone on all four sides where it will rest on the counter.

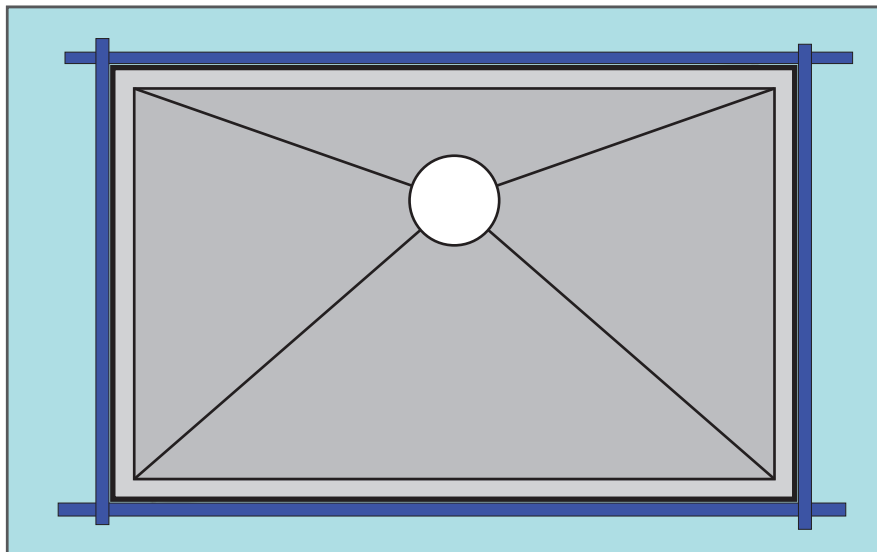
*Please follow diagram below.



Step 5: SINK INSTALLATION

IMPORTANT * Immediately install the sink into counter top opening.

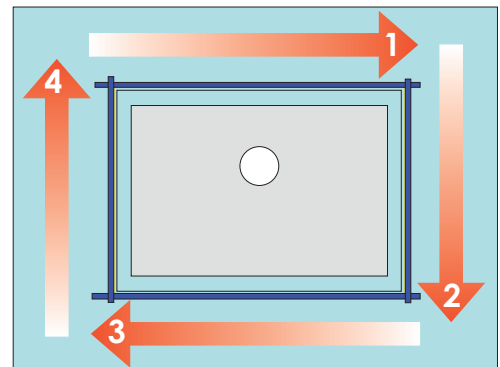
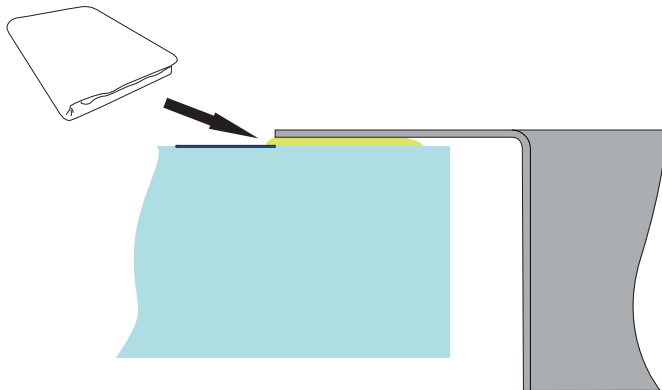
1. Carefully place sink into the counter top opening.
2. Align the sink ensuring it is perfectly square with the counter top
3. Apply gentle and even downward pressure to the top of the sink frame.



*** Once Step 5 is completed, proceed immediately to Step 6.**

Step 6: CLEANING SILICONE

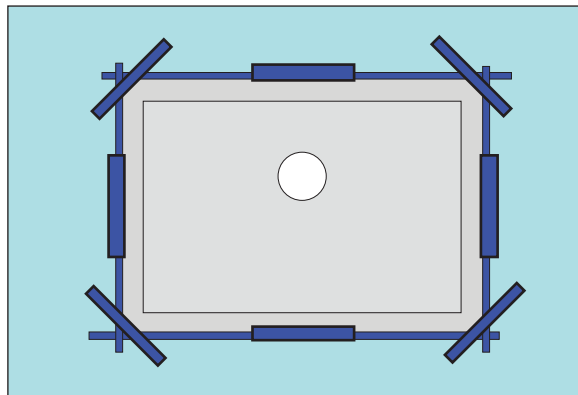
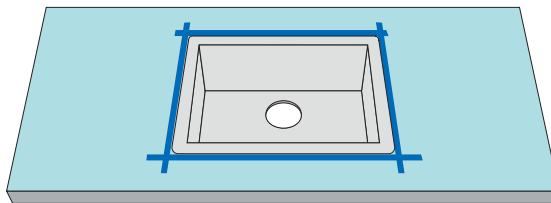
Using a **lint-free wiping cloth**, immediately wipe off excess silicone in the indicated order.



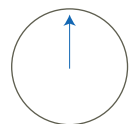
Step 7: SECURE WITH TAPE

To aid the sink in drying square and not moving during the silicone drying time, apply tape to the four sides and four corners. This will help to keep it aligned with the blue tape guide.

Let the silicone dry for 24 hours.

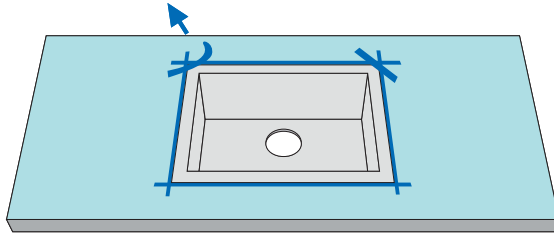


Allow 24 hours

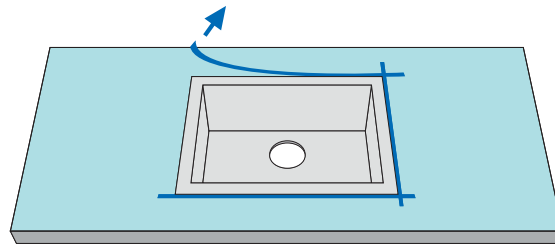
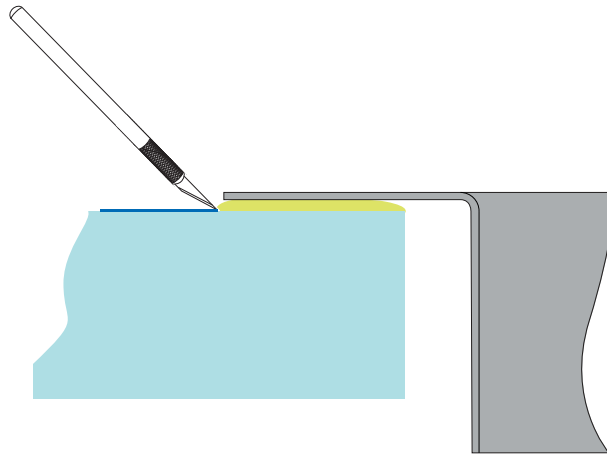


Step 8: FINAL PROCESS

Peel off all of the securing tape you applied to hold the sink in place



Before removing the blue tape guide from the counter top and sink frame, carefully cut along the edge of the sink frame to release the tape. This will make peeling it off much easier and it will provide a cleaner finish.



MILA INTERNATIONAL MAKES NO WARRANTIES, EXPRESSED OR IMPLIED, INCLUDING BUT NOT LIMITED TO ANY WARRANTY OF MERCHANTABILITY OR OF FITNESS FOR A PARTICULAR PURPOSE, AS TO THE INFORMATION CONTAINED HERE IN OR THE PRODUCTS DESCRIBED HEREIN.