

FLATIRON MUD-501SB



• FEATURES

16 gauge type 304 stainless steel

• TECHNICAL INFORMATION

External dimensions: 29"L x 17"W x 10"D

Basin dimensions:

Left: 13"L x 15"W x 10"D

Right: 13"L x 15"W x 10"D

• FINISHES

Satin Brushed stainless steel (SB)

• INSTALLATION OPTIONS

Top-mount

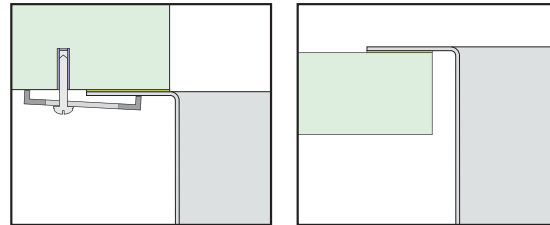
Under-mount

• MINIMUM CABINET SIZE (I.D.)

Top-mount 29"

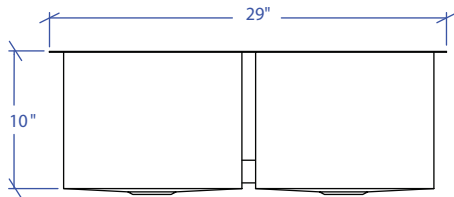
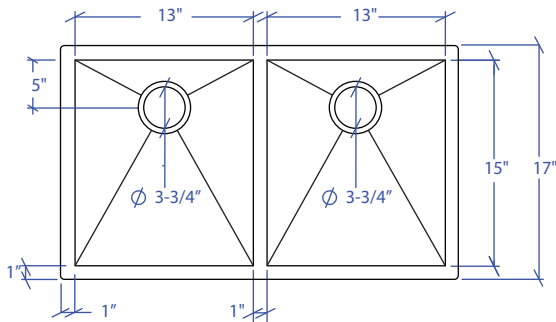
Under-mount 31"

• Dual-mount Installation

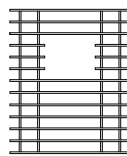


Under-mount

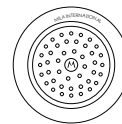
Top-mount



• ACCESSORY OPTIONS



MBG-052SB
Basin Grid



MKD-101PC
Strainer



MCB-501BB
Cutting Board

UNDER-MOUNT

PROJECT INFORMATION			
Project			
Date	/ /	QTY	
Specifier			
Contact			
Note			