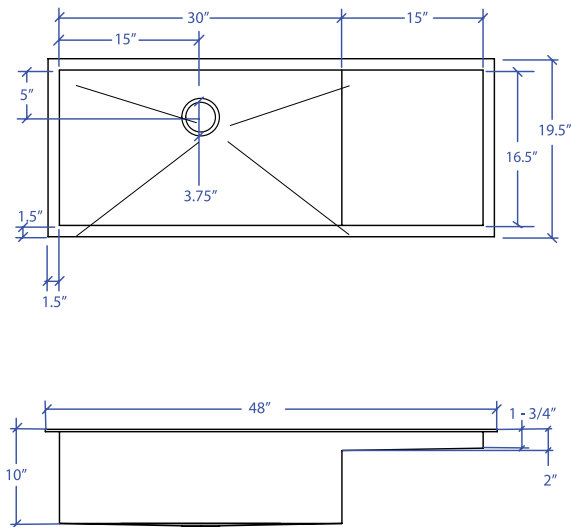


ATELIER MPS-653SB



*Custom ADA compliant sinks are available



• FEATURES

16-gauge type 304 stainless steel
TRI-MOUNT™ installation system

• TECHNICAL INFORMATION

External dimension: 48" Lx19.5" Wx10" D
Basin dimensions: 30" Lx16.5" Wx10" D
Prepboard: 15"
Frame width: 1-1/2"
Frame thickness: 1/4"

• FINISHES

Satin Brushed stainless steel

• INSTALLATION OPTIONS

Flush-mount
Drop-In
Under-mount

• MINIMUM CABINET SIZE (I.D.)

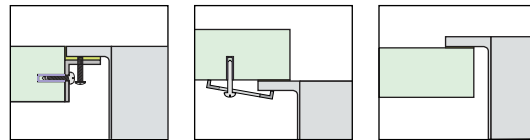
Flush-mount 50"
Drop-in 47"
Under-mount 51"

• INDUSTRY'S ONLY STAINLESS STEEL SINK DESIGNED SPECIFICALLY TO BE FLUSH-MOUNTED

• U.S. PATENT NO. 9,988,799

• CANADIAN PATENT NO. 2579506

• TRI-MOUNT INSTALLATION

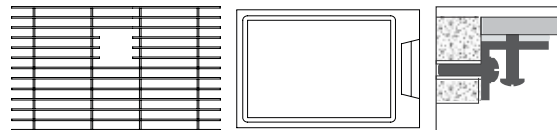


Flush-mount

Under-mount

Drop-In

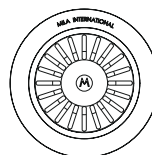
• ACCESSORIES



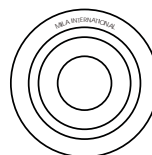
MBG-6512SB
Basin Grid

MCB-651BB
Cutting Board

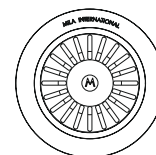
MTK-114AL
Mounting Kit



MKD-101SB
Strainer



MDC-101SB
Disposal Collar



MDC-102SB
Disposal Collar

PROJECT INFORMATION			
Project			
Date	/ /	QTY	
Specifier			
Contact			
Note			

PREP BOARD TRI-MOUNT™