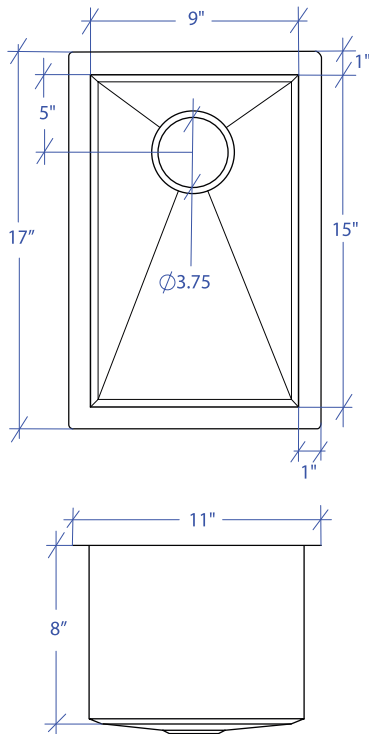


# ORION MOEU-501SB



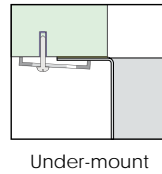
\*Custom ADA compliant sinks are available



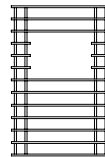
- **FEATURES**  
16-gauge type 304 stainless steel  
Bevel basin design
- **TECHNICAL INFORMATION**  
External dimension: 11" L x 17" W x 8" D  
Basin dimensions: 9" L x 15" W x 8" D
- **FINISHES**  
Satin Brushed stainless steel
- **INSTALLATION OPTIONS**  
Under-mount
- **MINIMUM CABINET SIZE (I.D.)**  
Under-mount 14"

- **US DESIGN PATENT D618,324 S**

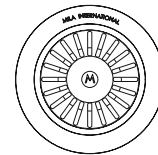
- **DUAL-MOUNT INSTALLATION**



- **ACCESSORY OPTIONS**



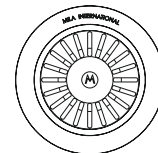
MBG-051SB  
Basin Grid



MKD-101SB  
Strainer



MDC-101SB  
Disposal Collar



MDC-102SB  
Disposal Collar

PROJECT INFORMATION			
Project			
Date	/ /	QTY	
Specifier			
Contact			
Note			

ENTERTAINMENT UNDER-MOUNT