

FLATIRON MPU-651SB



• FEATURES

16 gauge type 304 stainless steel

• TECHNICAL INFORMATION

External dimensions: 34"L x 18.5"W x 10"D

Basin dimensions: 17"L x 16.5"W x 10"D

Prepboard: 15"

• FINISHES

Satin Brushed stainless steel (SB)

• INSTALLATION OPTIONS

Top-mount

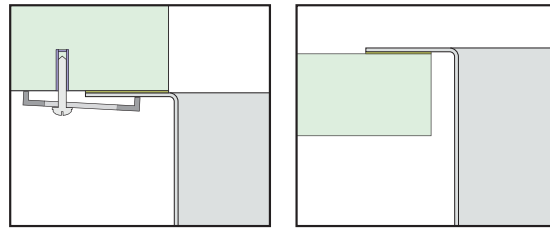
Under-mount

• MINIMUM CABINET SIZE (I.D.)

Top-mount 34"

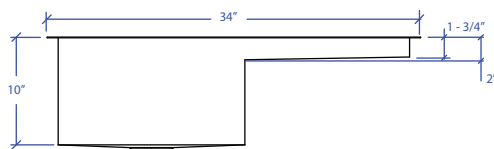
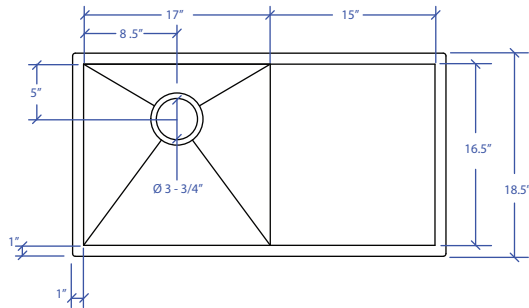
Under-mount 36"

• Dual-mount Installation

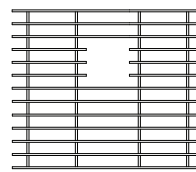


Under-mount

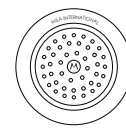
Top-mount



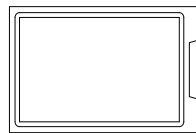
• ACCESSORY OPTIONS



MBG-6505SB
Basin Grid



MKD-101PC
Strainer



MCB-651BB
Cutting Board

PREPBOARD UNDER-MOUNT

PROJECT INFORMATION			
Project			
Date	/ /	QTY	
Specifier			
Contact			
Note			