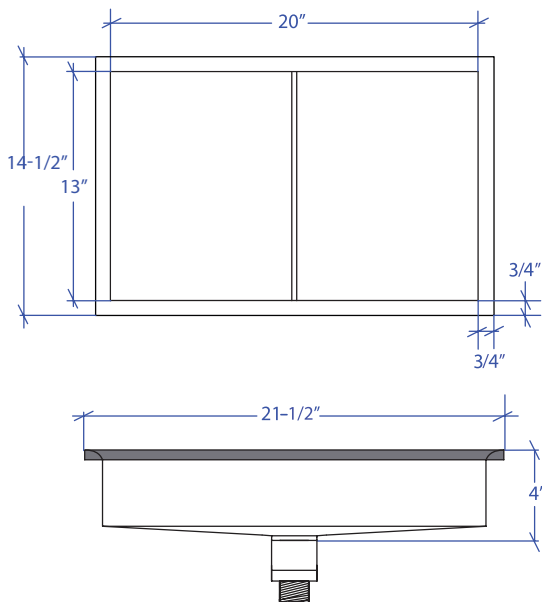


*ADA compliant



• FEATURES

- 16-gauge type 304 stainless steel
- Stainless steel rim support tubing
- 1/4" round profile rim and basin design

• TECHNICAL INFORMATION

- External dimension: 21.5"Lx14"Wx4"D
- Basin dimensions: 20"Lx13"Wx4"D
- Rim width: 3/4"
- Rim thickness: 5/16"

• FINISHES

- Satin Brushed stainless steel

• INSTALLATION OPTIONS

- Flush-mount

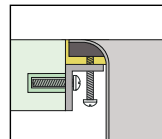
• MINIMUM CABINET SIZE (I.D.)

- Flush-mount 24"

• INDUSTRY'S ONLY STAINLESS STEEL SINK DESIGNED SPECIFICALLY TO BE FLUSH-MOUNTED

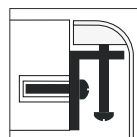
• INTERNATIONAL PATENT PENDING

• FLUSH-MOUNT INSTALLATION



Flush-mount

• ACCESSORIES



Flush Mount Kit
(Included)
MTK-303AL

| PROJECT INFORMATION | | | |
|---------------------|-----|-----|--|
| Project | | | |
| Date | / / | QTY | |
| Specifier | | | |
| Contact | | | |
| Note | | | |