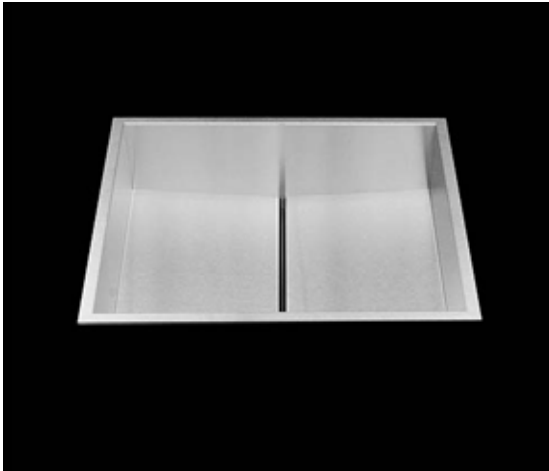
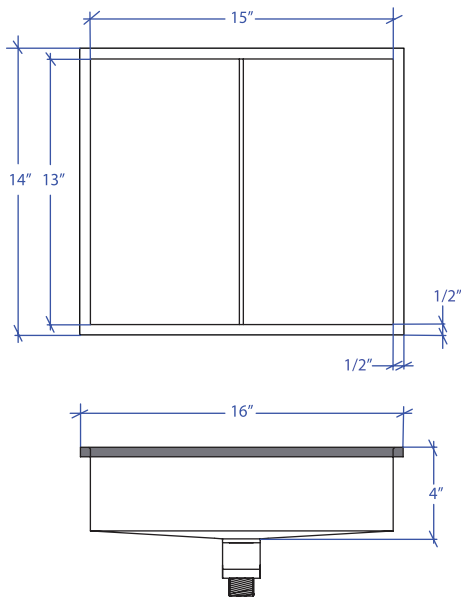


PROFILE MPOFB-301SB



*ADA compliant



• FEATURES

- 16-gauge type 304 stainless steel
- Stainless steel rim support tubing
- 90° zero radius rim and basin design

• TECHNICAL INFORMATION

- External dimension: 16" L x 14" W x 4" D
- Basin dimensions: 15" L x 13" W x 4" D
- Rim width: 1/2"
- Rim thickness: 5/16"

• FINISHES

- Satin Brushed stainless steel

• INSTALLATION OPTIONS

- Flush-mount

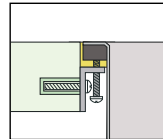
• MINIMUM CABINET SIZE (I.D.)

- Flush-mount 19"

• INDUSTRY'S ONLY STAINLESS STEEL SINK DESIGNED SPECIFICALLY TO BE FLUSH-MOUNTED

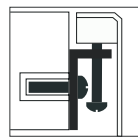
• INTERNATIONAL PATENT PENDING

• FLUSH-MOUNT INSTALLATION



Flush-mount

• ACCESSORIES



Flush Mount Kit
(Included)
MTK-301AL

| PROJECT INFORMATION | | | |
|---------------------|-----|-----|--|
| Project | | | |
| Date | / / | QTY | |
| Specifier | | | |
| Contact | | | |
| Note | | | |

BATHROOM FLUSH-MOUNT