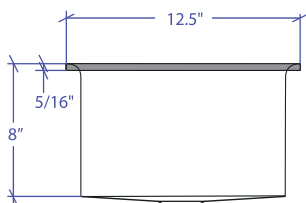
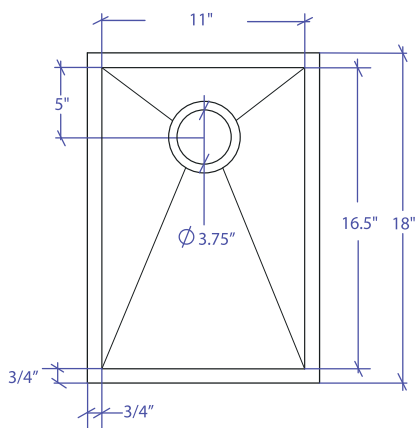


ARC MARFS-651SB



*Flush-Mount Installation Kit is included with each sink
*Custom ADA compliant versions are available



• FEATURES

- 16-gauge type 304 stainless steel
- Hollow 304 stainless steel support beam
- 1/4" round profile basin

• TECHNICAL INFORMATION

- External dimension: 12.5"Lx18"Wx8"D
- Basin dimensions: 11"Lx16.5"Wx8"D
- Frame width: 3/4"
- Frame thickness: 5/16"

• FINISHES

- Satin Brushed stainless steel

• INSTALLATION OPTIONS

- Flush-mount

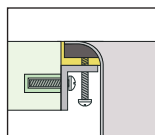
• MINIMUM CABINET SIZE (I.D.)

- Flush-mount 17.5"

• INDUSTRY'S ONLY STAINLESS STEEL SINK DESIGNED SPECIFICALLY TO BE FLUSH-MOUNTED

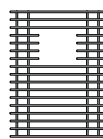
• INTERNATIONAL PATENT PENDING

• FLUSH-MOUNT INSTALLATION

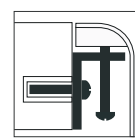


Flush-mount

• ACCESSORIES



MBG-6515SB
Basin Grid



Flush Mount Kit
(Included)
MTK-608AL



MKD-101SB
Strainer

PROJECT INFORMATION			
Project			
Date	/ /	QTY	
Specifier			
Contact			
Note			