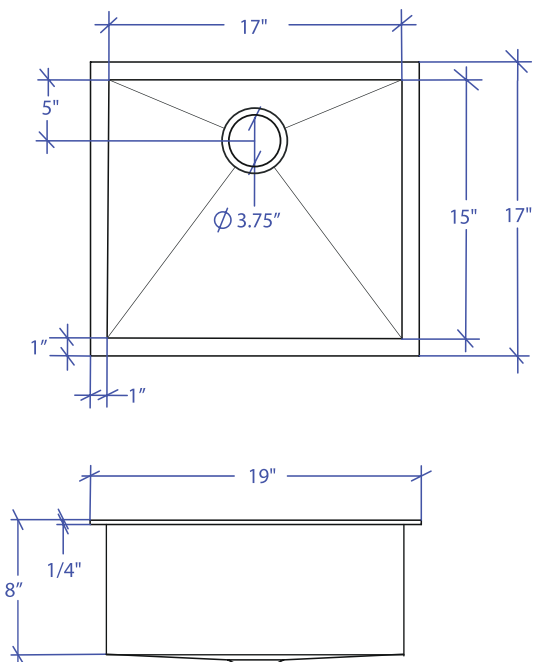


# ATELIER MTS-501SB



\*Custom ADA compliant sinks are available



## • FEATURES

16-gauge type 304 stainless steel  
TRI-MOUNT™ installation system

## • TECHNICAL INFORMATION

External dimension: 19" L x 17" W x 8" D  
Basin dimensions: 17" L x 15" W x 8" D  
Frame width: 1"  
Frame thickness: 1/4"

## • FINISHES

Satin Brushed stainless steel

## • INSTALLATION OPTIONS

Flush-mount  
Top-mount  
Under-mount

## • MINIMUM CABINET SIZE (I.D.)

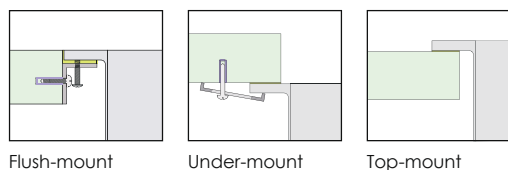
Flush-mount 22"  
Top-mount 19"  
Under-mount 23"

## • INDUSTRY'S ONLY STAINLESS STEEL SINK DESIGNED SPECIFICALLY TO BE FLUSH-MOUNTED

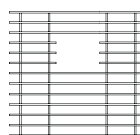
## • U.S. PATENT NO. 9,988,799

## • CANADIAN PATENT NO. 2579506

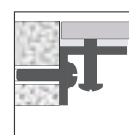
## • TRI-MOUNT INSTALLATION



## • ACCESSORIES



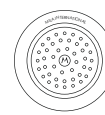
MBG-053SB  
Basin Grid



MTK-102AL  
Mounting Kit



MCB-501BB  
Cutting Board



MKD-101SB  
Strainer

PROJECT INFORMATION			
Project			
Date	/ /	QTY	
Specifier			
Contact			
Note			