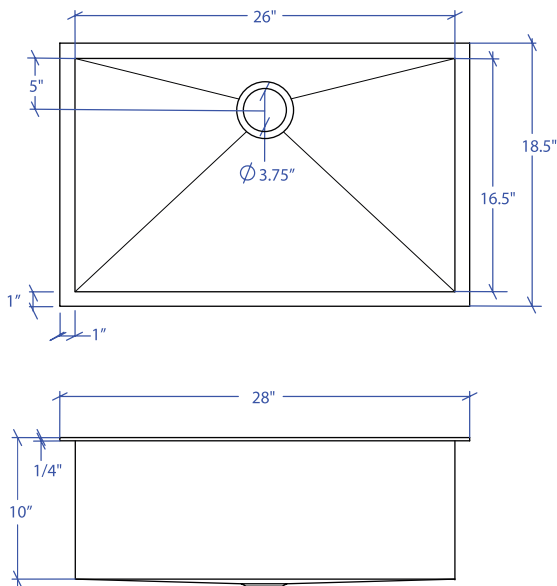


# ATELIER MTS-654SB



\*Custom ADA compliant sinks are available



## • FEATURES

16-gauge type 304 stainless steel  
TRI-MOUNT™ installation system

## • TECHNICAL INFORMATION

External dimension: 28" Lx18.5" Wx10" D  
Basin dimensions: 26" Lx16.5" Wx10" D  
Rim width: 1"  
Rim thickness: 1/4"

## • FINISHES

Satin brushed stainless steel

## • INSTALLATION OPTIONS

Flush-mount  
Drop-in  
Under-mount

## • MINIMUM CABINET SIZE (I.D.)

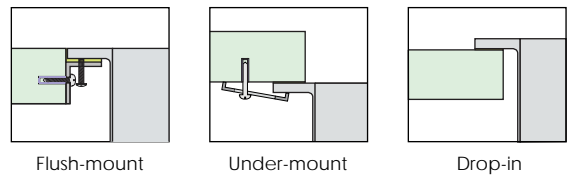
Flush-mount 31"  
Drop-in 28"  
Under-mount 32"

## • INDUSTRY'S ONLY STAINLESS STEEL SINK DESIGNED SPECIFICALLY TO BE FLUSH-MOUNTED

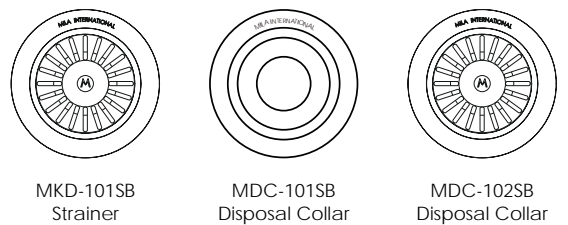
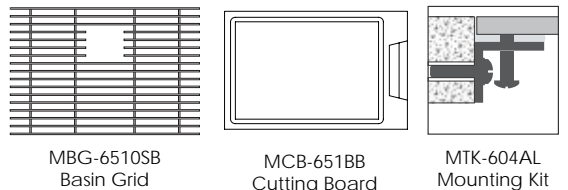
## • U.S. PATENT NO. 9,988,799

## • CANADIAN PATENT NO. 2579506

## • TRI-MOUNT INSTALLATION



## • ACCESSORIES



PROJECT INFORMATION			
Project			
Date	/ /	QTY	
Specifier			
Contact			
Note			