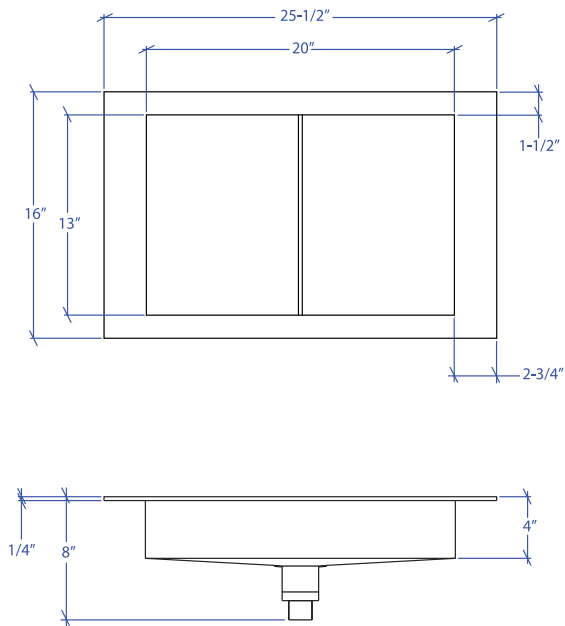


ATELIER MTB-302PSB 2 TONE FINISH



*ADA compliant



• FEATURES

16-gauge type 304 stainless steel
TRI-MOUNT™ installation system

• TECHNICAL INFORMATION

External dimension: 25.5" Lx16" Wx4" D
Basin dimensions: 20" Lx13" Wx4" D
Frame width: 2" /3"
Frame thickness: 1/4"

• FINISHES

Frame: Satin Brushed stainless steel
Basin: Polished Mirror Finish

• INSTALLATION OPTIONS

Flush-mount
Drop-in

• MINIMUM CABINET SIZE (I.D.)

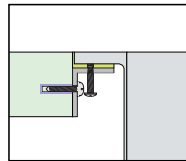
Flush-mount 28.5"
Drop-in 27.5"

• INDUSTRY'S ONLY STAINLESS STEEL SINK DESIGNED SPECIFICALLY TO BE FLUSH-MOUNTED

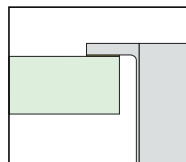
• U.S. PATENT NO. 9,988,799

• CANADIAN PATENT NO. 2579506

• INSTALLATION

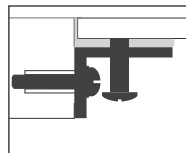


Flush-mount



Drop-in

• ACCESSORY



MTK-116AL
Mounting Kit

| PROJECT INFORMATION | | | |
|---------------------|-----|-----|--|
| Project | | | |
| Date | / / | QTY | |
| Specifier | | | |
| Contact | | | |
| Note | | | |

BATHROOM DUAL-MOUNT