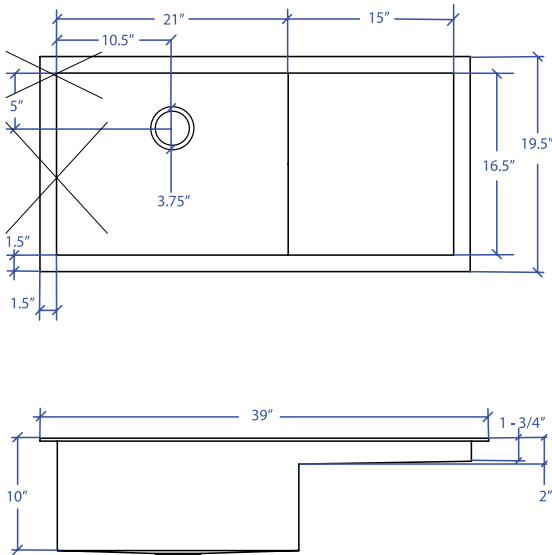


ATELIER MPS-652SB



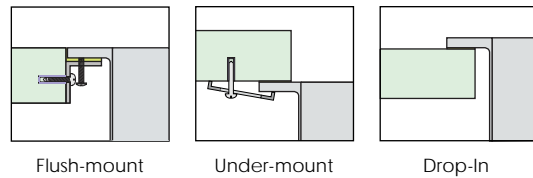
*Custom ADA compliant sinks are available



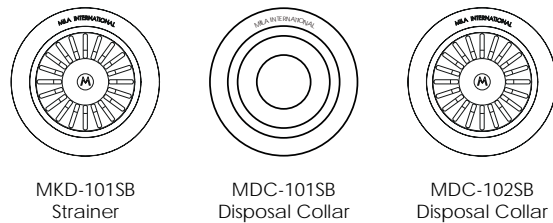
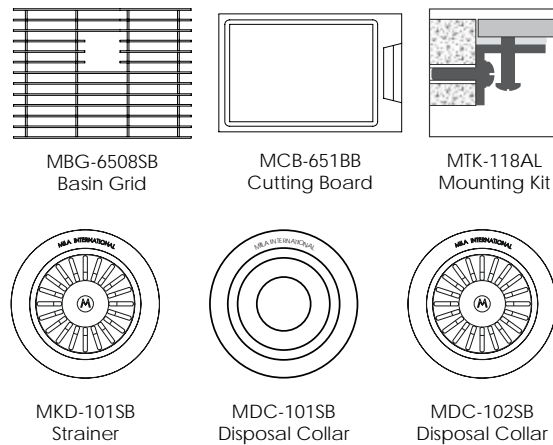
- FEATURES**
 16-gauge type 304 stainless steel
 TRI-MOUNT™ installation system
- TECHNICAL INFORMATION**
 External dimension: 39" Lx19.5" Wx10" D
 Basin dimensions: 21" Lx16.5" Wx10" D
 Prepboard: 15"
 Rim width: 1-1/2"
 Rim thickness: 1/4"
- FINISHES**
 Satin brushed stainless steel
- INSTALLATION OPTIONS**
 Flush-mount
 Drop-in
 Under-mount
- MINIMUM CABINET SIZE (I.D.)**
 Flush-mount 41"
 Drop-in 38"
 Under-mount 42"

INDUSTRY'S ONLY STAINLESS STEEL SINK DESIGNED SPECIFICALLY TO BE FLUSH-MOUNTED

- U.S. PATENT NO. 9,988,799**
- CANADIAN PATENT NO. 2579506**
- TRI-MOUNT INSTALLATION**



ACCESSORIES



PROJECT INFORMATION			
Project			
Date	/ /	QTY	
Specifier			
Contact			
Note			

PREP BOARD TRI-MOUNT™