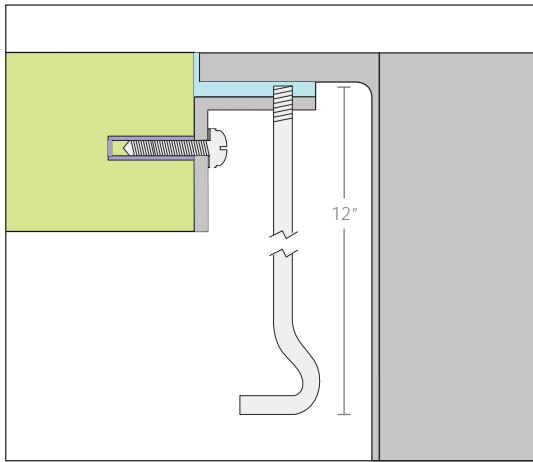


# FLUSH-MOUNT BRACKET KIT MTK-116AL



## DESCRIPTION

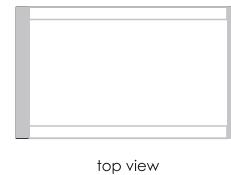
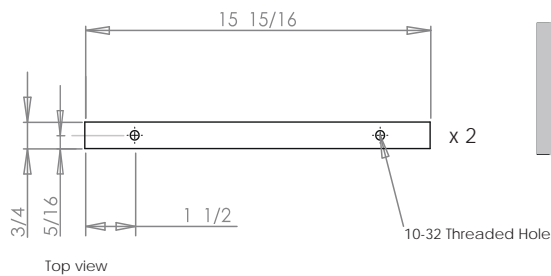
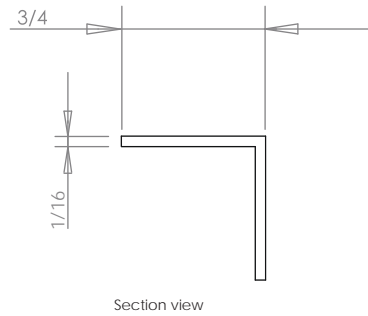
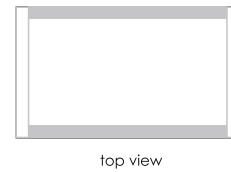
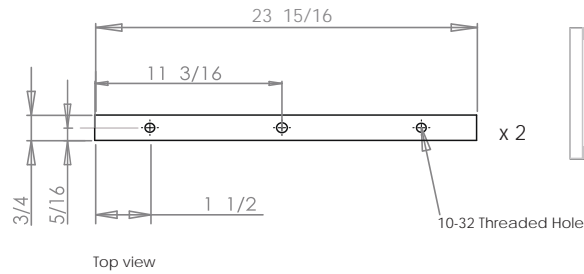
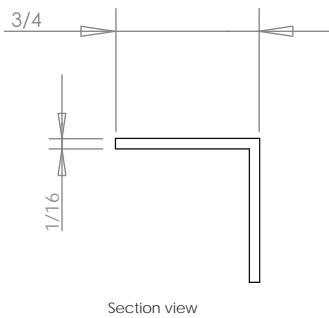
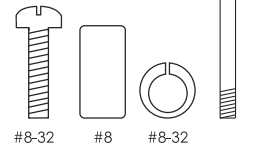
Flush-mount Installation Kit

## TECHNICAL INFORMATION

- 16 GA. 304 Stainless Steel Angle
- Stainless Steel 12" Height Adjusting Screw
- Stainless Steel Lock Washers
- Aluminum Anchors

## INCLUDED PARTS

- #8-32 Screw
- 12" Height Adjusting Screw
- #8 Lock Washer
- #8-32 Standoff



PROJECT INFORMATION			
Project			
Date	/ /	QTY	
Specifier			
Contact			
Note			