

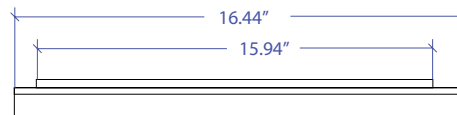
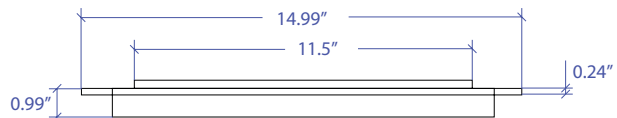
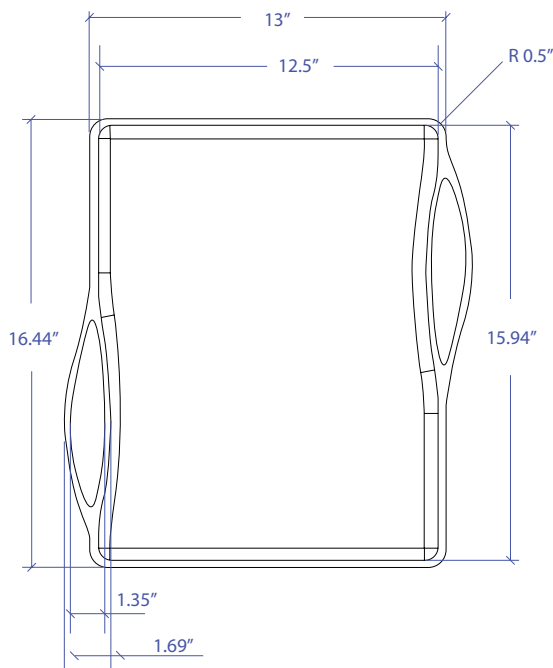
# CUTTING BOARD MWCB-651BB



- **FEATURES**  
Stainless Steel Construction  
Removable Cutting Board

- **TECHNICAL INFORMATION**  
Dimension: 16.44"Lx14.99"W  
Thickness: 0.24"  
Corner: 0.5" Round

- **FINISHES**  
Satin Brushed Stainless Steel  
Natural Bamboo



PROJECT INFORMATION			
Project			
Date	/ /	QTY	
Specifier			
Contact			
Note			