

# CUTTING BOARD MWCB-651GPBB



## • FEATURES

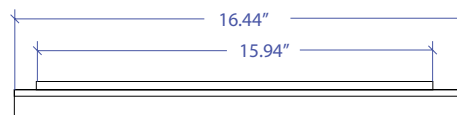
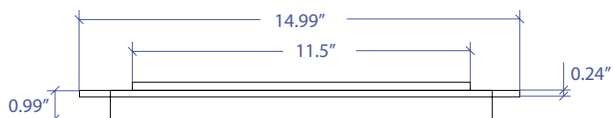
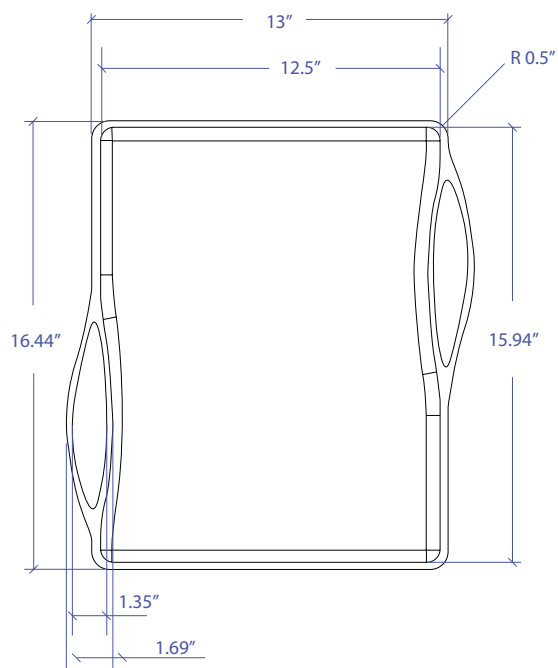
Stainless Steel Construction  
Removable Cutting Board

## • TECHNICAL INFORMATION

Dimension: 16.44"Lx14.99"W  
Thickness: 0.24"  
Corner: 0.5" Round

## • FINISHES

Graphite PVD Satin Brushed Stainless Steel  
Natural Bamboo



PROJECT INFORMATION			
Project			
Date	/ /	QTY	
Specifier			
Contact			
Note			