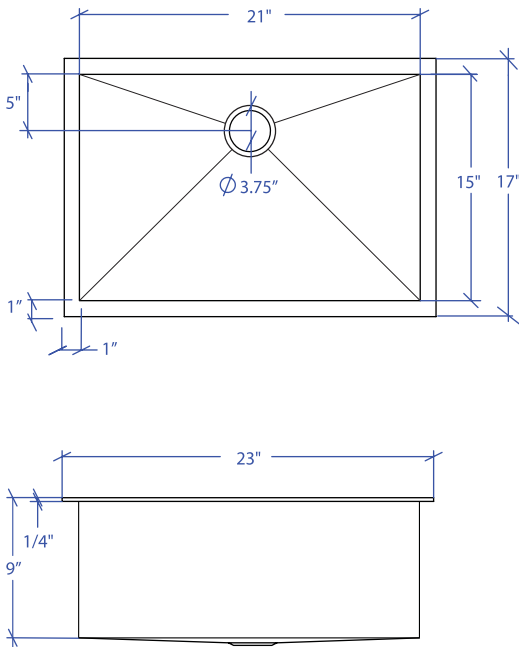


# ATELIER MTS-502SB



\*Custom ADA compliant sinks are available



## • FEATURES

16-gauge type 304 stainless steel  
TRI-MOUNT™ installation system

## • TECHNICAL INFORMATION

External dimension: 23"Lx17"Wx9"D  
Basin dimensions: 21"Lx15"Wx9"D  
Frame width: 1"  
Frame thickness: 1/4"

## • FINISHES

Satin Brushed stainless steel

## • INSTALLATION OPTIONS

Flush-mount  
Drop-in  
Under-mount

## • MINIMUM CABINET SIZE (I.D.)

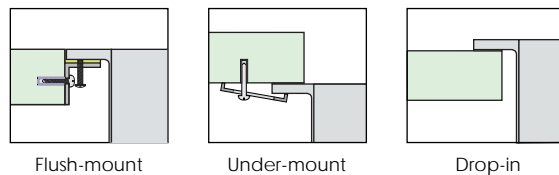
Flush-mount 26"  
Drop-in 23"  
Under-mount 27"

## • INDUSTRY'S ONLY STAINLESS STEEL SINK DESIGNED SPECIFICALLY TO BE FLUSH-MOUNTED

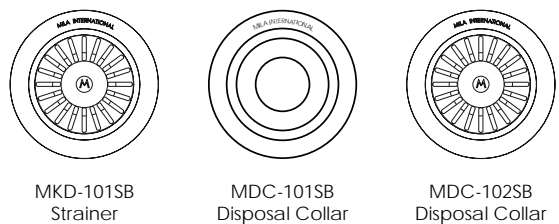
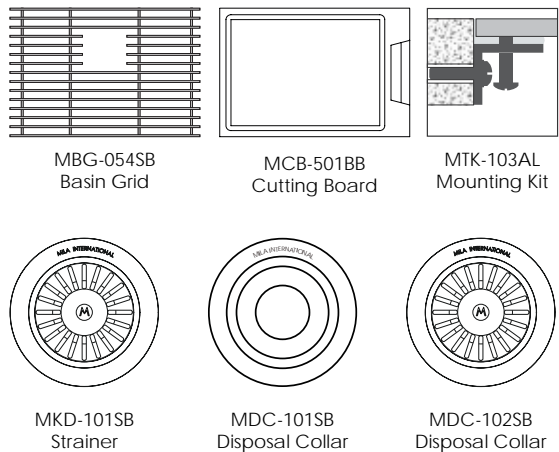
## • U.S. PATENT NO. 9,988,799

## • CANADIAN PATENT NO. 2579506

## • TRI-MOUNT INSTALLATION



## • ACCESSORIES



| PROJECT INFORMATION |     |     |  |
|---------------------|-----|-----|--|
| Project             |     |     |  |
| Date                | / / | QTY |  |
| Specifier           |     |     |  |
| Contact             |     |     |  |
| Note                |     |     |  |