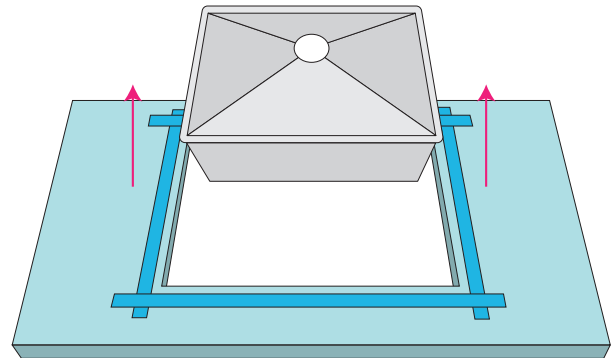
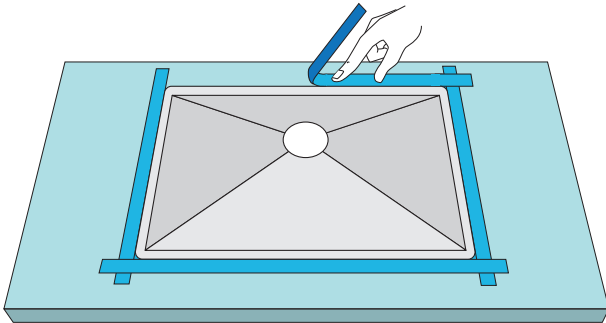


Once the sink location is confirmed apply, blue tape to the counter top to accurately outline the sinks final installed position. After blue tape is applied, remove the sink from the counter top leaving the blue tape as guide for final installation.



STEP 4: FINAL SINK INSTALLATION

IMPORTANT

- * **MUST use 100% silicone for this installation.**
- * **Silicone color should match counter top color as close as possible.**
- * **If there is NO matching color to the counter top, use CLEAR silicone.**
- * **NEVER use "SILVER" silicone.**
- * **NEVER perform this procedure outdoors or under sunlight.**

Butter coat the underside of the sink rim with a thin coat of silicone on all four sides.

