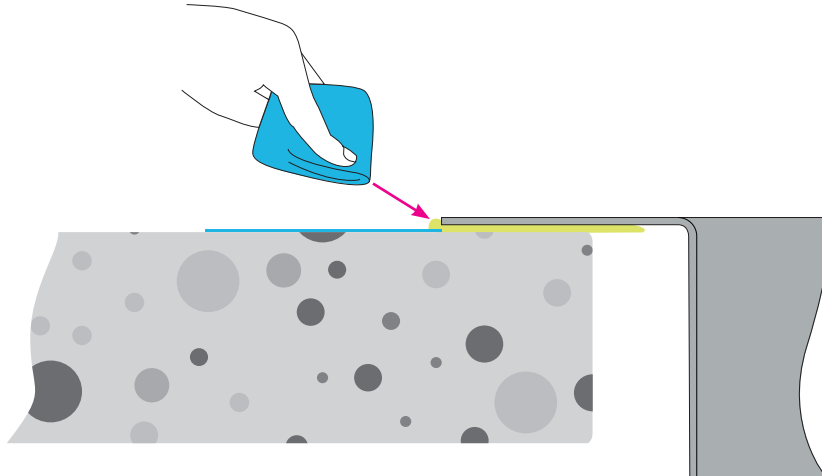
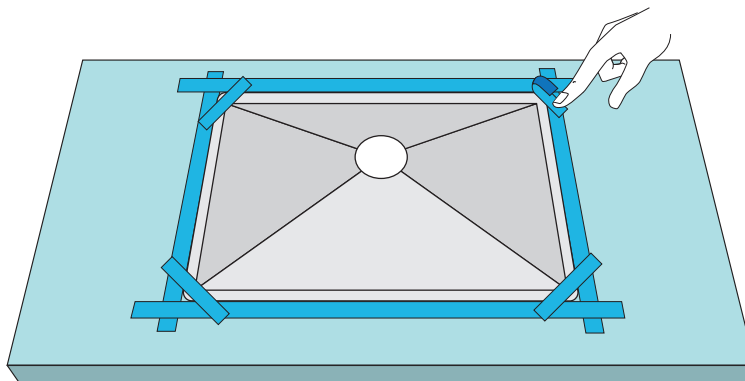


Using a lint-free cloth, wipe off excess silicone on the countertop.



STEP 5: SECURE SINK

Apply blue painters tape to four corners of the sink rim to keep sink from moving out of alignment.



*** Allow 24 hours for the silicone to cure.**

