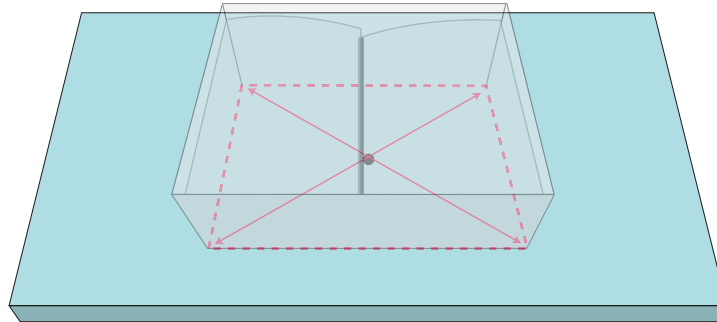


STEP 1: CUTTING OPENING

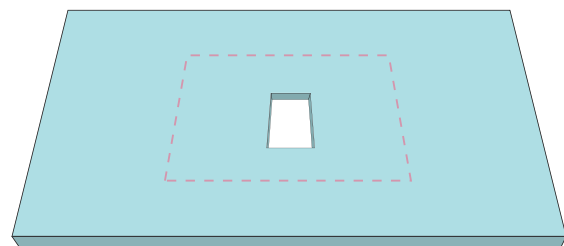
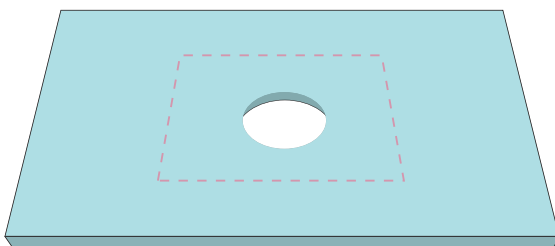
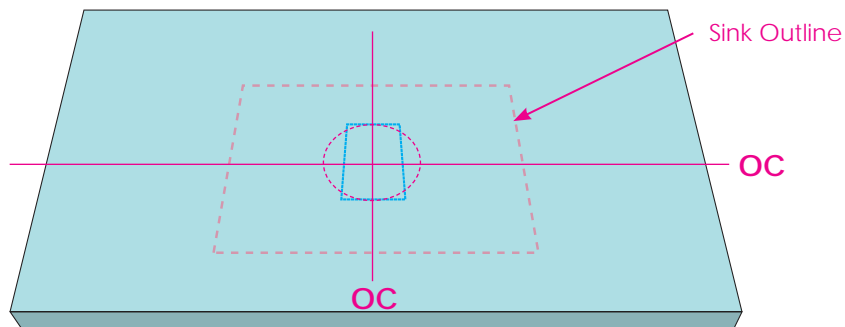
IMPORTANT

* Only a professional stone fabricator is qualified to perform this installation.

Determine the exact location where the sink is going to be installed.



* A 4" x 8" rectangular or 8" round cutout is required for installing the top mounting sink.



* Once the sink cutout size and location is confirmed, proceed to cut the sink opening on the counter top.