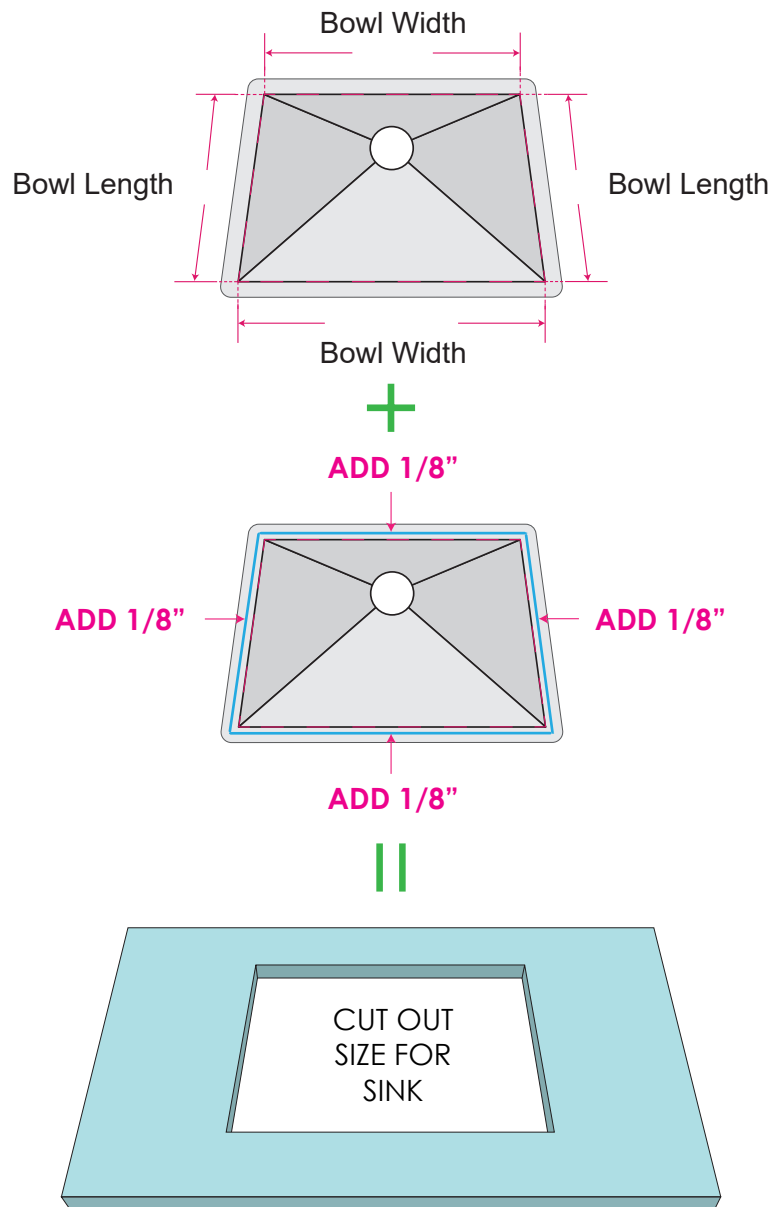


STEP 1: CUTTING SINK OPENING

IMPORTANT

* Only a professional stone fabricator is qualified to perform this installation.

Carefully measure the width and length of the sink bowl, then add 1/8" to all four sides. This is the dimension of the cutout for this sink.



* Once the sink cutout size and location is confirmed, proceed to cut the sink opening on the counter top.