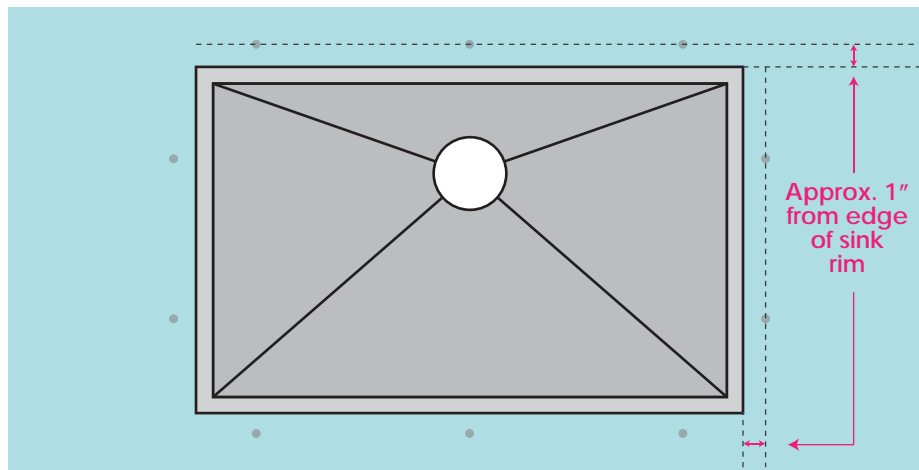


## STEP 3: INSTALLING SINK MOUNTING HARDWARE

### STEP 3A: ANCHOR LOCATION

1. Insert anchors into the underside of the counter top.
2. Align your sink with the sink cutout, mark the position of the anchors. They should be approximately 1" away from the sink rim and 2 - 3 anchors on each side evenly placed.

#### Underside of Sink and Counter Top



### STEP 3B: DRILLING HOLES

Drill the proper size holes for the anchors to be installed.

