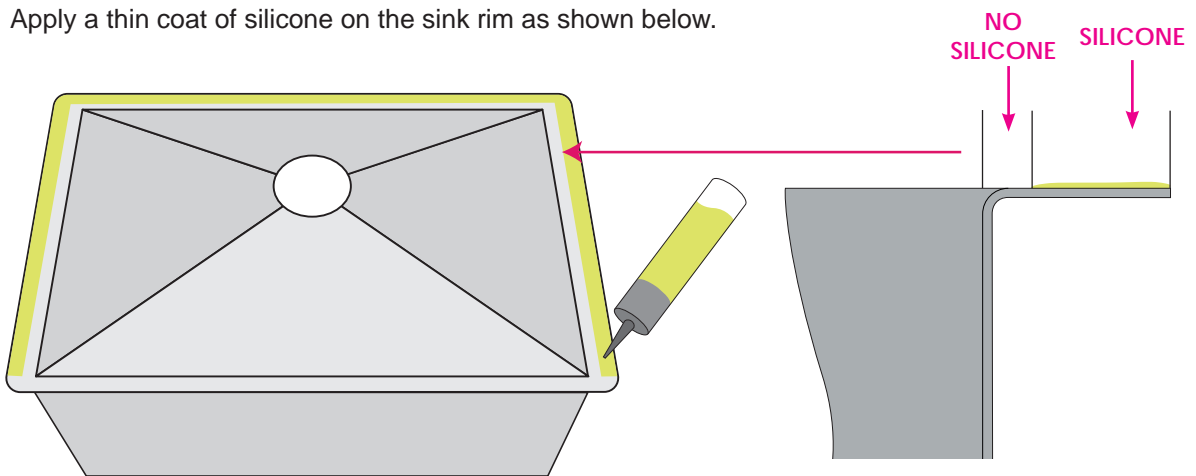


STEP 5: SILICONE CAULKING

IMPORTANT

- * **MUST** use 100% silicone for this installation.
- * Silicone color should match counter top color as close as possible.
- * If there is **NO** matching color to the counter top, use **CLEAR** silicone.
- * **NEVER** use “SILVER” silicone.
- * **NEVER** perform this procedure outdoors or under sunlight.

Apply a thin coat of silicone on the sink rim as shown below.



STEP 6: INSERTING THE SINK

Position the sink to the underside of the counter top and ensure the sink is aligned at the center of the sink cutout.

