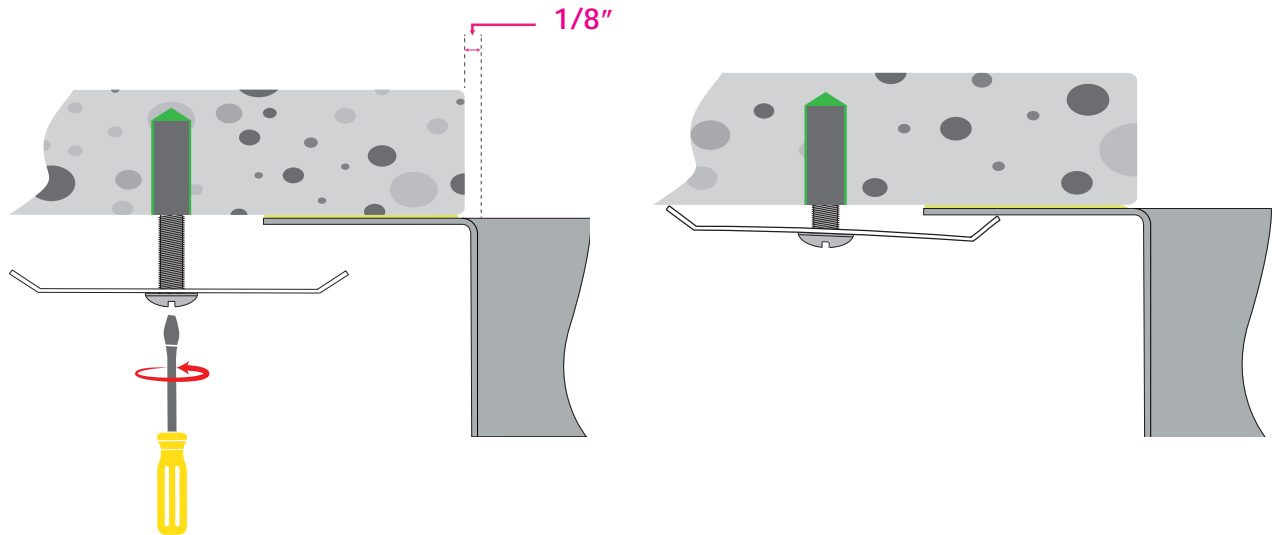


STEP 7: SECURE SINK

Once the sink is centered, tighten all of the sink mounting clip screws to secure the sink in place.



*** Allow 12 - 48 hours for the silicone to set before using the sink.**



The installation is now complete.
Please enjoy your sink!