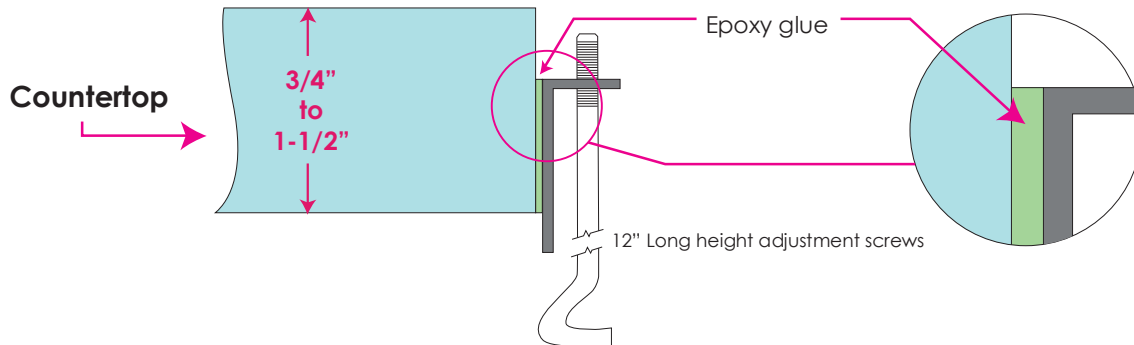


Step 2: SUPPORT BRACKET INSTALLATION

IMPORTANT

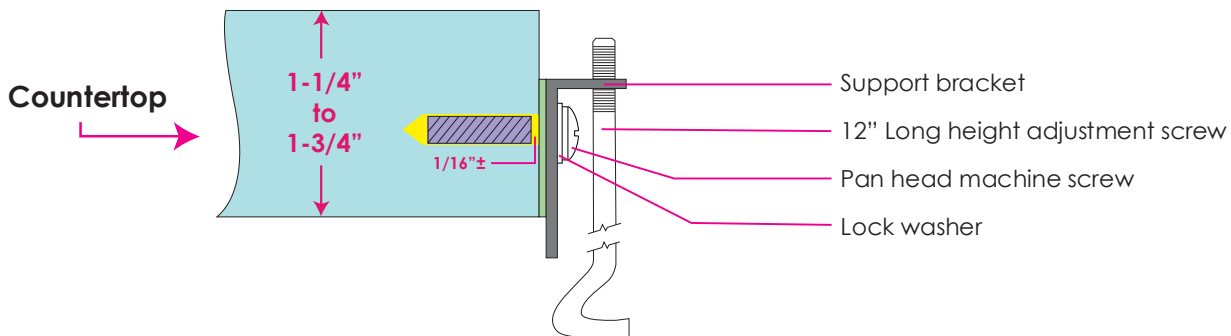
*** MUST USE 2 PART COMMERCIAL GRADE EPOXY AT 3500 PSI OR HIGHER.**
 Follow manufacturer's recommended curing time to allow epoxy to set and cure properly.

2a: EXPOXY INSTALLATION



2b: ANCHORING INSTALLATION

Make sure anchors are setback approximately $1/16$ " from the edge of the countertop as per diagram. Secure support brackets into place. Must use supplied lock washers and screws.



2c: PORCELAIN COUNTERTOP INSTALLATION

For Porcelain and thinner counter top material.

*** THIS PROCEDURE REQUIRES 5/8" TO 3/4" WATERPROOF OR MARINE GRADE OF PLYWOOD TO BE PLACED UNDER THE PORCELAIN COUNTER TOP.**

