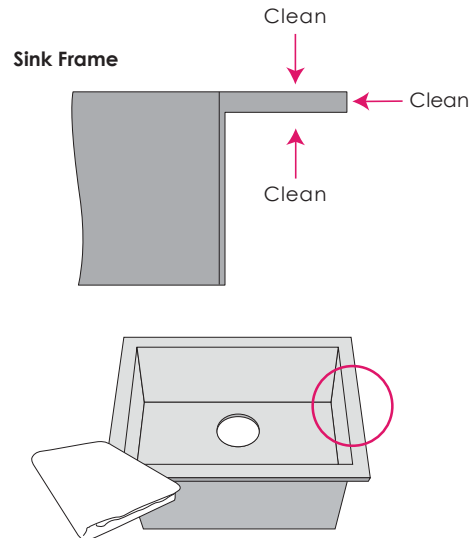
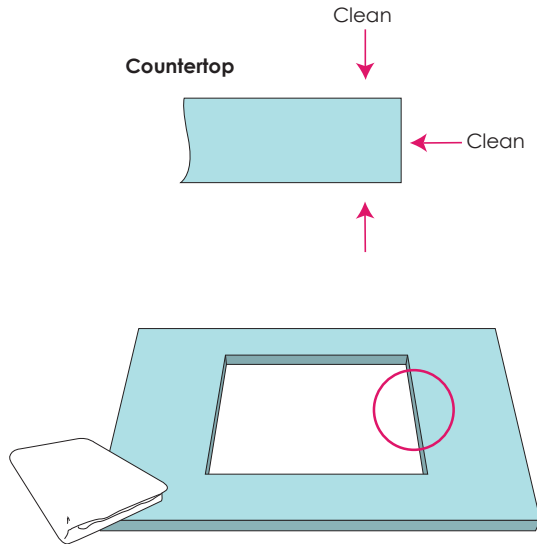


Step 3: PROTECTION

Step 3a: SINK & COUNTER CLEANING

Gently clean the countertop and sink frame to remove all dirt, oil, and contaminants from the surfaces. Do not use any abrasive cleaning solutions that may damage the countertop surface and sink frame.

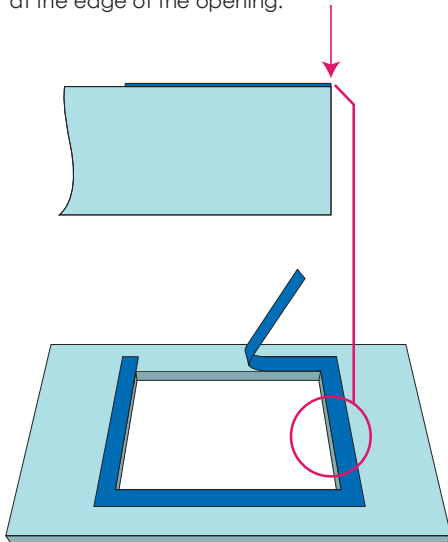


Step 3b: SINK & COUNTER TOP TAPE APPLICATION

Once the countertop is cleaned, using blue painter's tape neatly tape all edges of the opening on the countertop. Be sure to tape up to, but not over the inside edge of the sink opening.

Apply the tape to the top of the sink's rim. Make sure to tape up to the sink rim's outer edge but not over.

Blue painter's tape stops precisely at the edge of the opening.



Blue painter's tape stops precisely at the edge of the sink rim.

