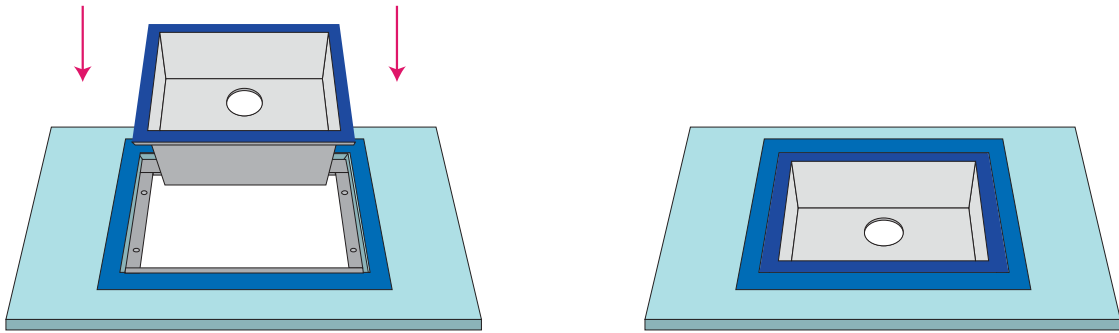
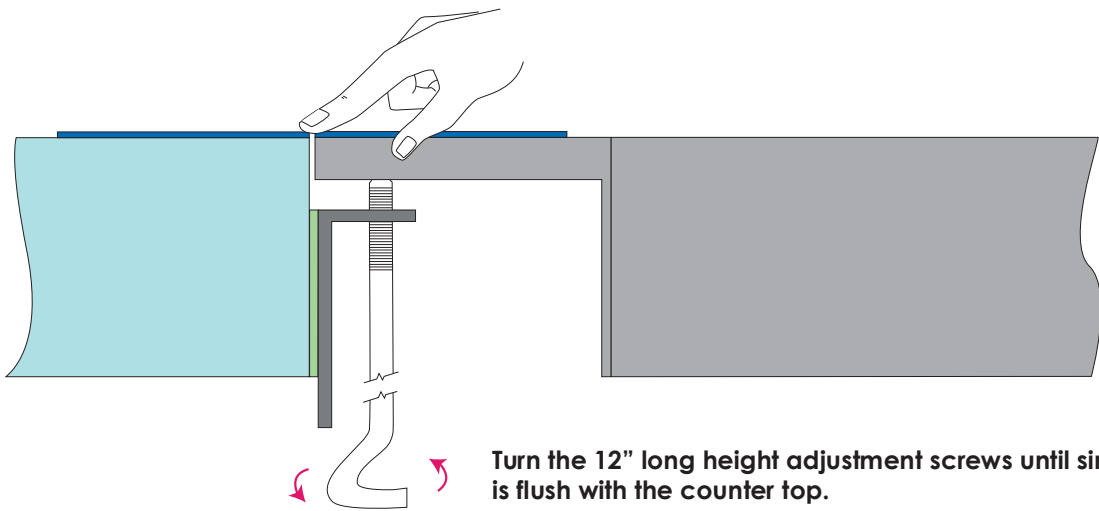


Step 4: SINK DRY FITTING

After protective tape are applied to sink rim and counter top. Carefully place the sink back into the sink opening.



***Use your finger to check if the sink is flush with the countertop.**



*** MAKE SURE ALL FOUR SIDES OF THE SINK SIT FLUSH WITH THE COUNTERTOP.**

Once the sink rim is 100% flush with the countertop remove the sink from the sink opening.

