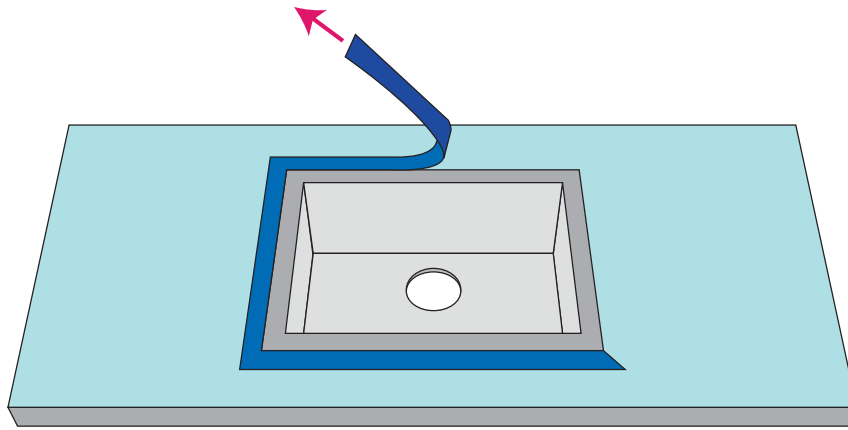


### 5e: COUNTERTOP TAPE REMOVAL

Carefully remove the blue painter's tape from the countertop.

Remove the tape on the countertop by pulling **AWAY** from the sink.



### 5f: SINK'S RIM TAPE REMOVAL

Carefully remove the blue painter's tape from the sink's rim.

Remove the tap on the sink's rim by pulling **TOWARDS** the sink and away from the seam.

