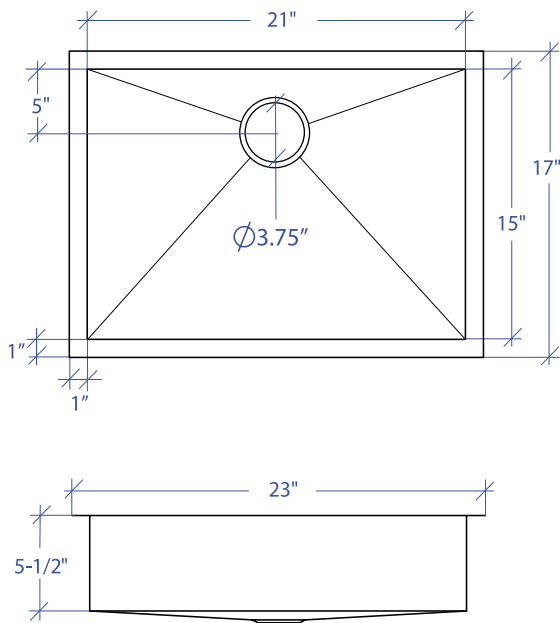


# FLATIRON ADAMUS-502GPSB



\*Custom ADA compliant versions are available



- **FEATURES**  
16-gauge type 304 stainless steel  
90° zero radius design

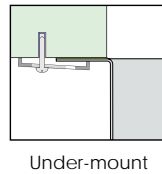
- **TECHNICAL INFORMATION**  
External dimension: 23" Lx17" Wx5.5" D  
Basin dimensions: 21" Lx15" Wx5.5" D  
Rim width: 1"  
Rim thickness: 1/16"

- **FINISHES**  
Graphite PVD satin brushed stainless steel

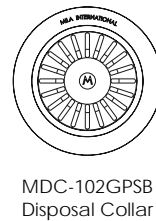
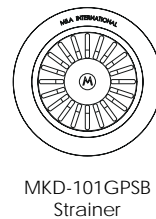
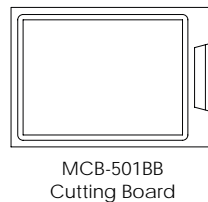
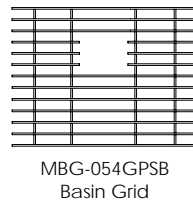
- **INSTALLATION OPTIONS**  
Under-mount

- **MINIMUM CABINET SIZE (I.D.)**  
Under-mount 26"

- **DUAL-MOUNT INSTALLATION**



- **ACCESSORY OPTIONS**



PROJECT INFORMATION			
Project			
Date	/ /	QTY	
Specifier			
Contact			
Note			

ADA UNDER-MOUNT