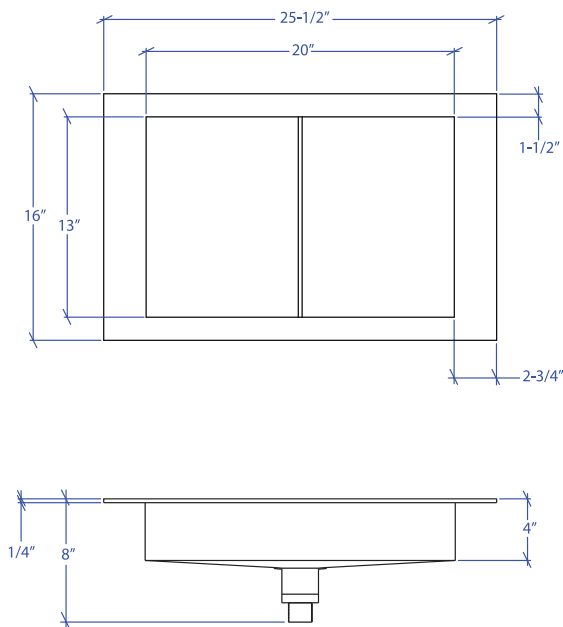




\*ADA compliant



## • FEATURES

16-gauge type 304 stainless steel  
TRI-MOUNT™ installation system

## • TECHNICAL INFORMATION

External dimension: 25.5"Lx16"Wx4"D  
Basin dimensions: 20"Lx13"Wx4"D  
Frame width: 2" / 3"  
Frame thickness: 1/4"

## • FINISHES

Frame: Satin Brushed stainless steel  
Basin: Polished Mirror Finish

## • INSTALLATION OPTIONS

Flush-mount  
Drop-in

## • MINIMUM CABINET SIZE (I.D.)

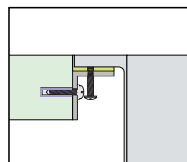
Flush-mount 28.5"  
Drop-in 27.5"

## • INDUSTRY'S ONLY STAINLESS STEEL SINK DESIGNED SPECIFICALLY TO BE FLUSH-MOUNTED

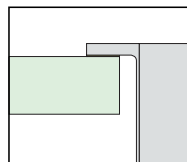
## • U.S. PATENT NO. 9,988,799

## • CANADIAN PATENT NO. 2579506

## • INSTALLATION

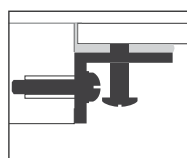


Flush-mount



Drop-in

## • ACCESSORY



MTK-116AL  
Mounting Kit

PROJECT INFORMATION			
Project			
Date	/ /	QTY	
Specifier			
Contact			
Note			