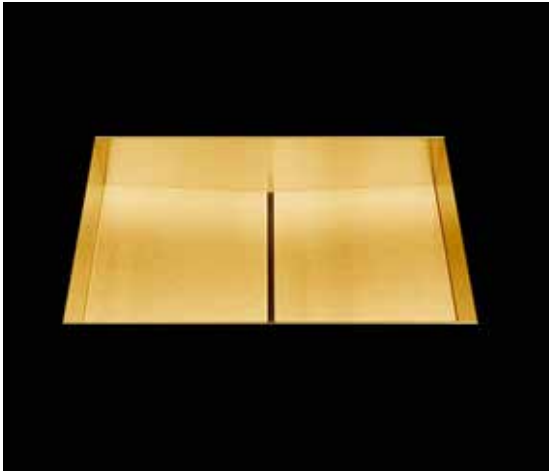
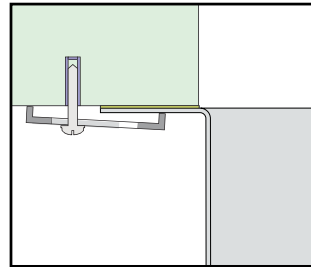
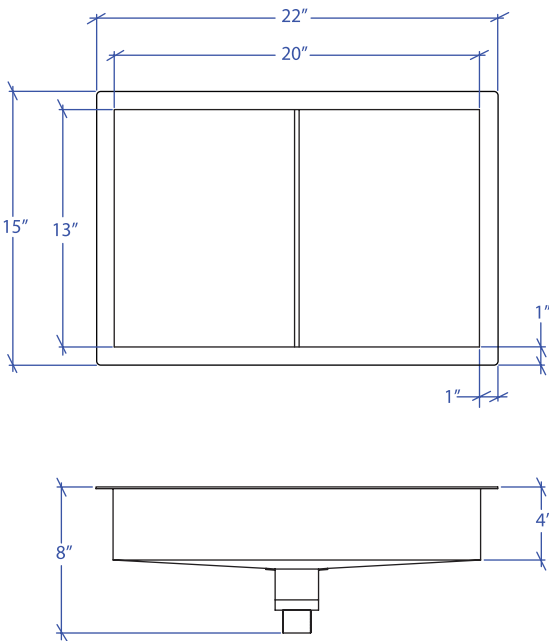


FLATIRON MUB-302GDSB



*ADA compliant

- **FEATURES**
16-gauge type 304 stainless steel
- **TECHNICAL INFORMATION**
External dimension: 22"Lx15"Wx4"D
Basin dimensions: 20"Lx13"Wx4"D
- **FINISHES**
Gold PVD Satin Brushed stainless steel
- **INSTALLATION OPTIONS**
Under-mount
- **MINIMUM CABINET SIZE (I.D.)**
 - Under-mount 25"
- **DUAL-MOUNT INSTALLATION**



Under-mount

PROJECT INFORMATION			
Project			
Date	/ /	QTY	
Specifier			
Contact			
Note			

BATHROOM UNDER-MOUNT