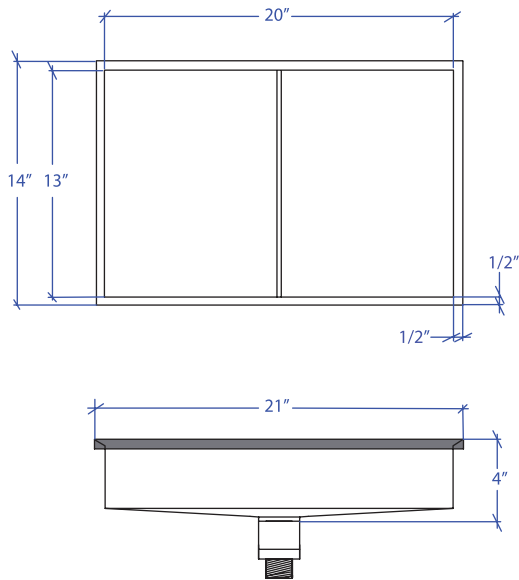


# LOUVRE MLFB-302SB



\*ADA compliant



- **FEATURES**  
16-gauge type 304 stainless steel  
Stainless steel rim support tubing  
Bevel rim and basin design

- **TECHNICAL INFORMATION**  
External dimension: 21" Lx14" Wx4" D  
Basin dimensions: 21" Lx13" Wx4" D  
Rim width: 1/2"  
Rim thickness: 5/16"

- **FINISHES**  
Satin Brushed stainless steel

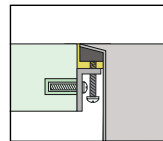
- **INSTALLATION OPTIONS**  
Flush-mount

- **MINIMUM CABINET SIZE (I.D.)**  
Flush-mount 24"

- **INDUSTRY'S ONLY STAINLESS STEEL SINK DESIGNED SPECIFICALLY TO BE FLUSH-MOUNTED**

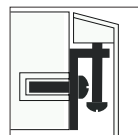
- **INTERNATIONAL PATENT PENDING**

- **FLUSH-MOUNT INSTALLATION**



Flush-mount

- **ACCESSORIES**



Flush Mount Kit  
(Included)  
MTK-302AL

PROJECT INFORMATION			
Project			
Date	/	/	QTY
Specifier			
Contact			
Note			

BATHROOM FLUSH-MOUNT