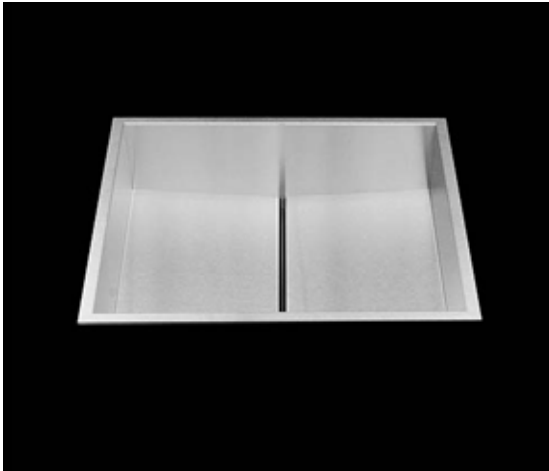
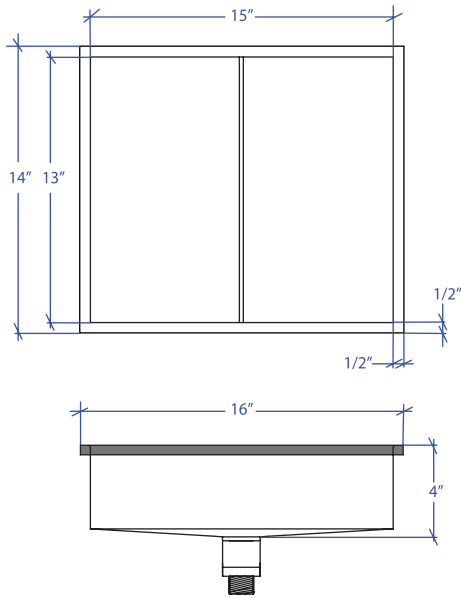


# PROFILE MPOFB-301SB



\*ADA compliant



## • FEATURES

- 16-gauge type 304 stainless steel
- Stainless steel rim support tubing
- 90° zero radius rim and basin design

## • TECHNICAL INFORMATION

- External dimension: 16" L x 14" W x 4" D
- Basin dimensions: 15" L x 13" W x 4" D
- Rim width: 1/2"
- Rim thickness: 5/16"

## • FINISHES

- Satin Brushed stainless steel

## • INSTALLATION OPTIONS

- Flush-mount

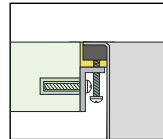
## • MINIMUM CABINET SIZE (I.D.)

- Flush-mount 19"

## • INDUSTRY'S ONLY STAINLESS STEEL SINK DESIGNED SPECIFICALLY TO BE FLUSH-MOUNTED

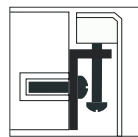
## • INTERNATIONAL PATENT PENDING

## • FLUSH-MOUNT INSTALLATION



Flush-mount

## • ACCESSORIES



Flush Mount Kit  
(Included)  
MTK-301AL

PROJECT INFORMATION			
Project			
Date	/ /	QTY	
Specifier			
Contact			
Note			

BATHROOM FLUSH-MOUNT