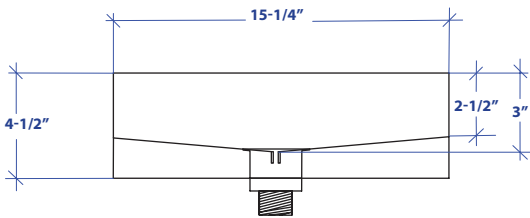
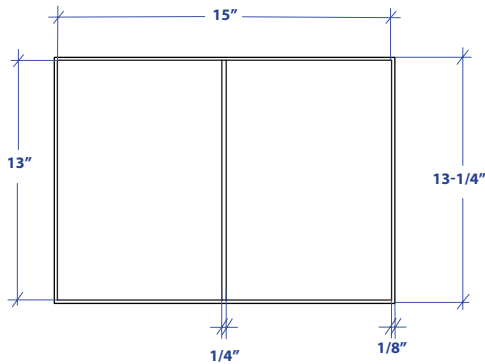


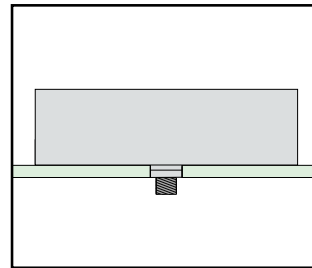
VESSEL MVB-301GPSB



*ADA compliant



- **FEATURES**
16-gauge type 304 stainless steel
- **TECHNICAL INFORMATION**
External dimension: 15-1/4"Lx13-1/4"Wx4-1/2"D
Basin dimensions: 15"Lx13"Wx3"D
- **FINISHES**
Graphite PVD Satin Brushed stainless steel
- **INSTALLATION OPTIONS**
Top-mount
- **DUAL-MOUNT INSTALLATION**



Top-mount

PROJECT INFORMATION			
Project			
Date	/	/	QTY
Specifier			
Contact			
Note			

BATHROOM TOP-MOUNT