

CUTTING BOARD MWCB-651BB



• FEATURES

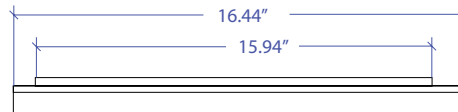
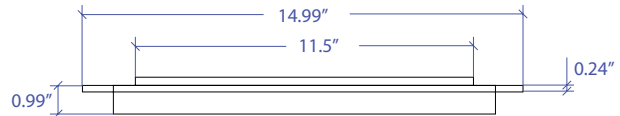
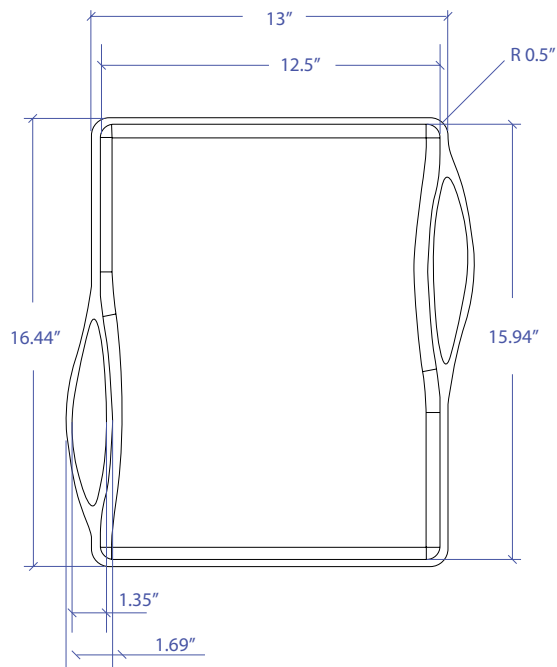
Stainless Steel Construction
Removable Cutting Board

• TECHNICAL INFORMATION

Dimension: 16.44" L x 14.99" W
Thickness: 0.24"
Corner: 0.5" Round

• FINISHES

Satin Brushed Stainless Steel
Natural Bamboo



PROJECT INFORMATION

Project			
Date	/	/	QTY
Specifier			
Contact			
Note			