

# CUTTING BOARD MWCB-651GDBB



## • FEATURES

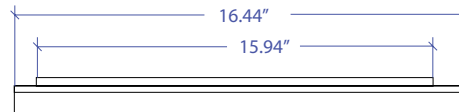
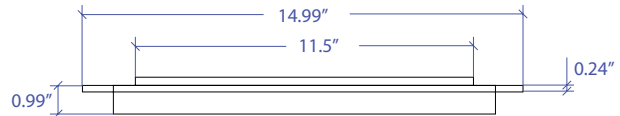
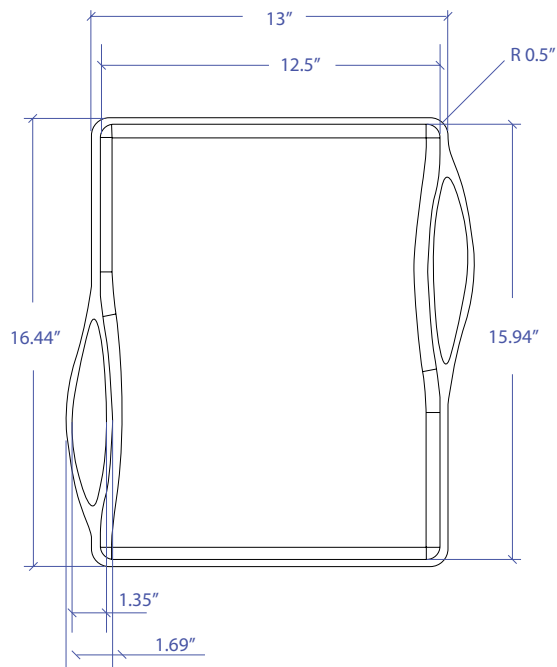
Stainless Steel Construction  
Removable Cutting Board

## • TECHNICAL INFORMATION

Dimension: 16.44" L x 14.99" W  
Thickness: 0.24"  
Corner: 0.5" Round

## • FINISHES

Gold PVD Satin Brushed Stainless Steel  
Natural Bamboo



## PROJECT INFORMATION

Project			
Date	/	/	QTY
Specifier			
Contact			
Note			