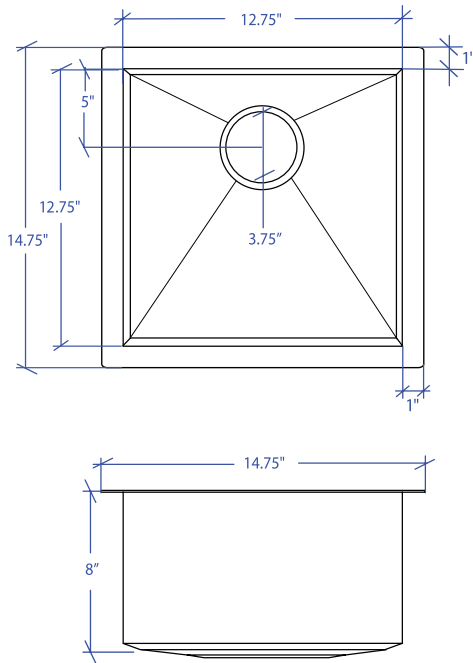


ORION MOEU-301SB

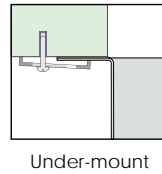


*Custom ADA compliant sinks are available

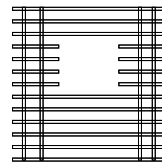


- **FEATURES**
16-gauge type 304 stainless steel
Bevel basin design
- **TECHNICAL INFORMATION**
External dimension: 14.75" L x 14.75" W x 8" D
Basin dimensions: 12.75" L x 12.75" W x 8" D
Rim width: 1"
Rim thickness: 1/16"
- **FINISHES**
Satin brushed stainless steel
- **INSTALLATION OPTIONS**
Drop-in
Under-mount
- **MINIMUM CABINET SIZE (I.D.)**
Under-mount 17.75"
- **US DESIGN PATENT D618,324 S**

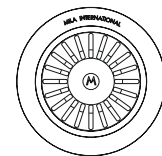
- **DUAL-MOUNT INSTALLATION**



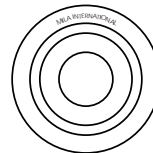
- **ACCESSORY OPTIONS**



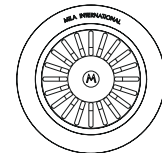
MBG-032SB
Basin Grid



MKD-101SB
Strainer



MDC-101SB
Disposal Collar



MDC-102SB
Disposal Collar

PROJECT INFORMATION			
Project			
Date	/ /	QTY	
Specifier			
Contact			
Note			

ENTERTAINMENT UNDER-MOUNT