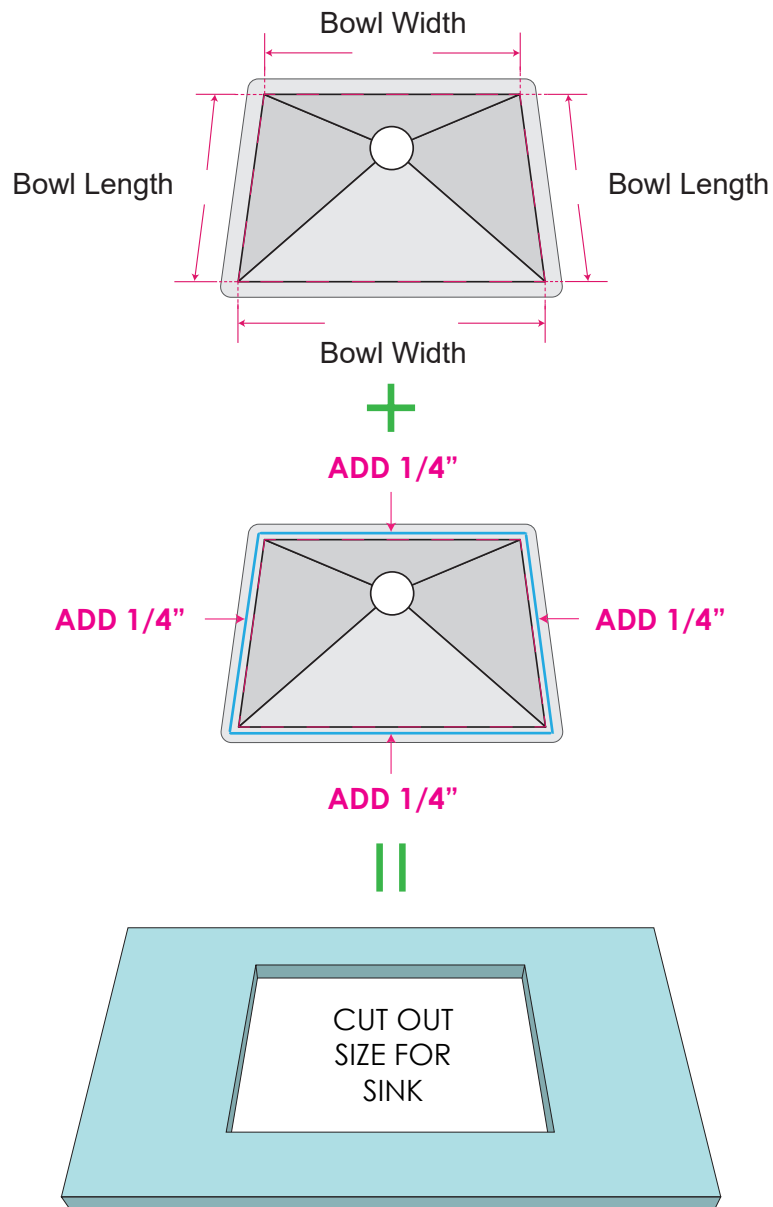


## STEP 1: CUTTING SINK OPENING

### IMPORTANT

\* Only a professional stone fabricator is qualified to perform this installation.

Carefully measure the width and length of the sink bowl, then add 1/4" to all four sides. This is the dimension of the cutout for this sink.

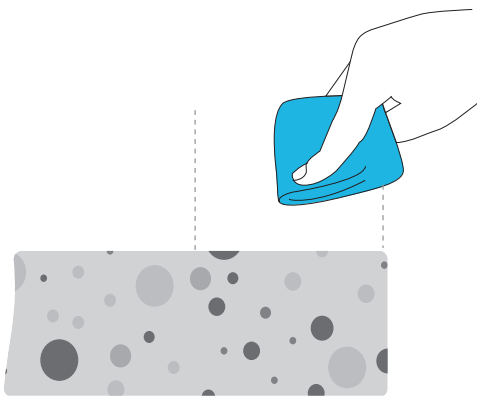


\* Once the sink cutout size and location is confirmed proceed to cut the sink opening on the counter top.

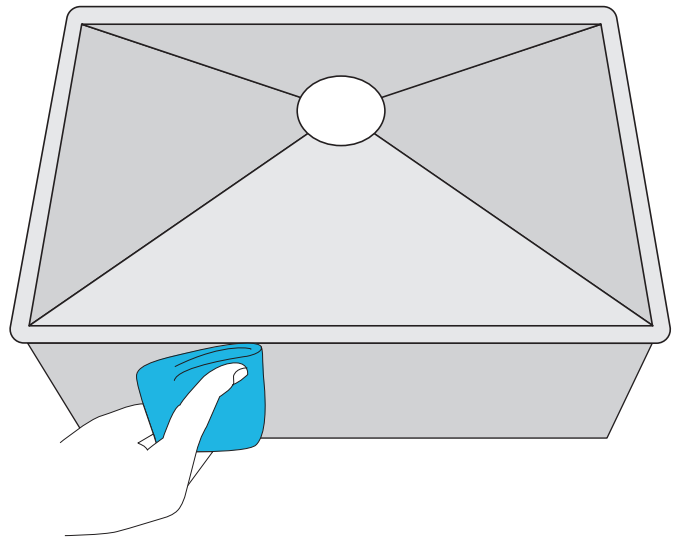
## STEP 2: CLEANING

Gently clean the countertop and the underside of the sink rim to remove dirt, oil and contaminants from the surfaces. Do not use any abrasive cleaning solutions that may damage the counter top surface or sink rim.

### 1. Clean the top of the countertop

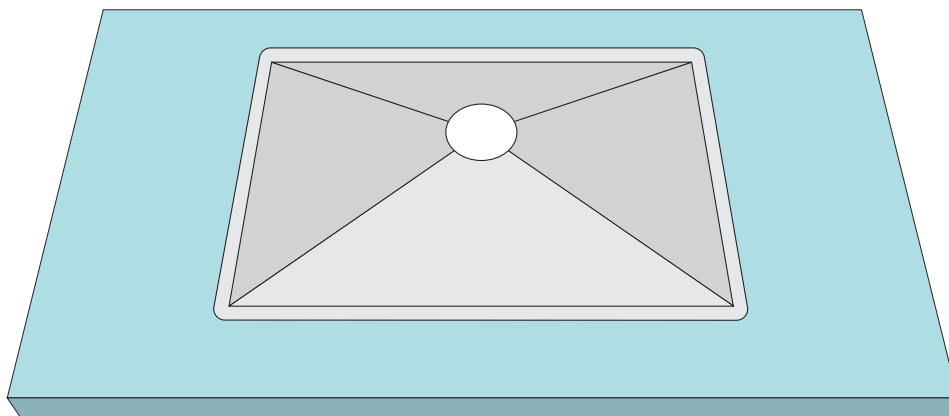


### 2. Clean the underside of the sink rim

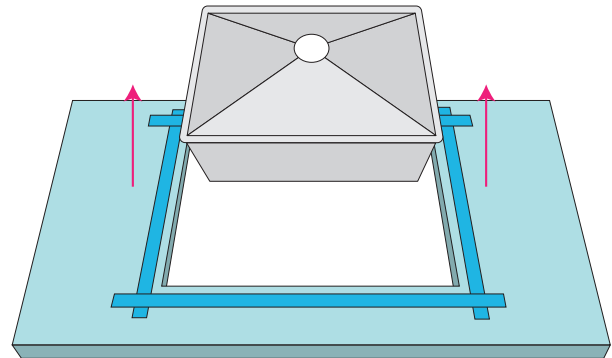
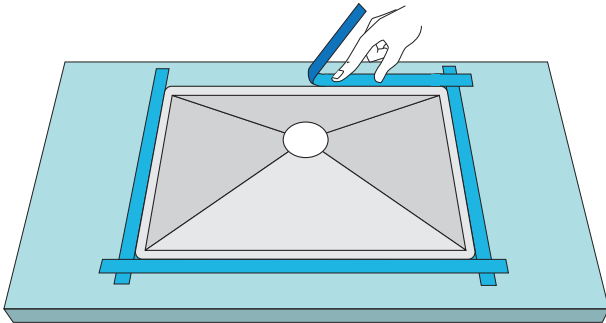


## STEP 3: SINK PLACEMENT AND MARKING

Once the counter top is ready, carefully place the sink into the counter top opening and align it correctly to ensure the sink sits its square at its desired location.



Once the sink location is confirmed apply, blue tape to the counter top to accurately outline the sinks final installed position. After blue tape is applied, remove the sink from the counter top leaving the blue tape as guide for final installation.

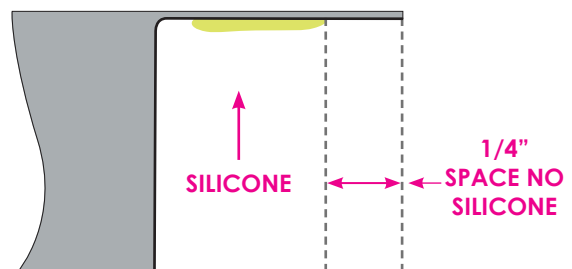
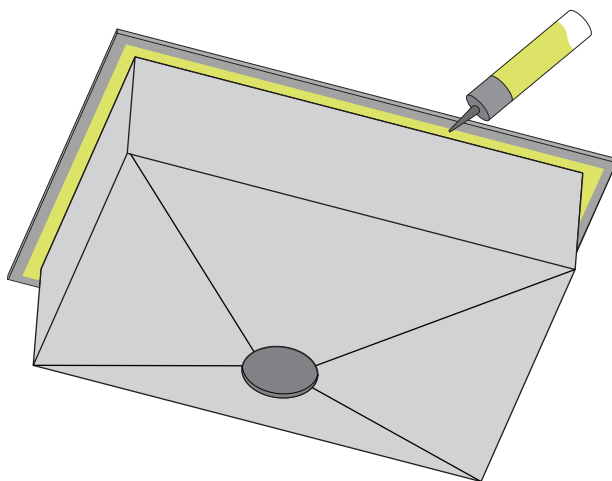


#### STEP 4: FINAL SINK INSTALLATION

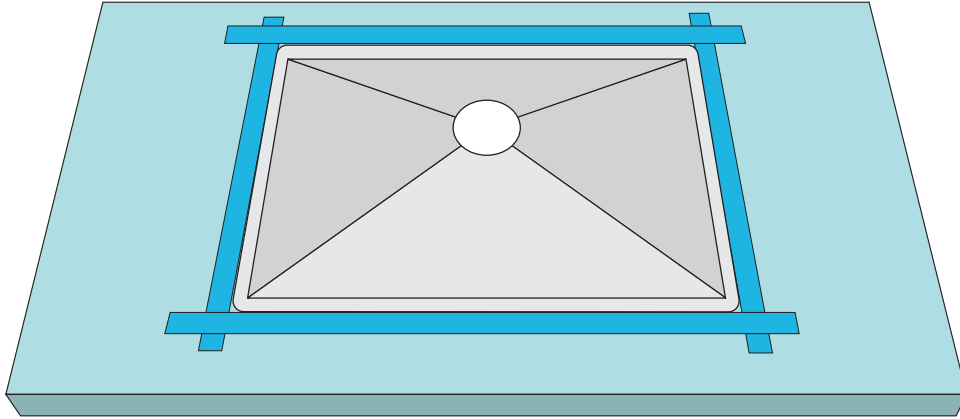
##### IMPORTANT

- \* **MUST** use 100% silicone for this installation.
- \* Silicone color should match counter top color as close as possible.
- \* If there is **NO** matching color to the counter top, use **CLEAR** silicone.
- \* **NEVER** use “SILVER” silicone.
- \* **NEVER** perform this procedure outdoors or under sunlight.

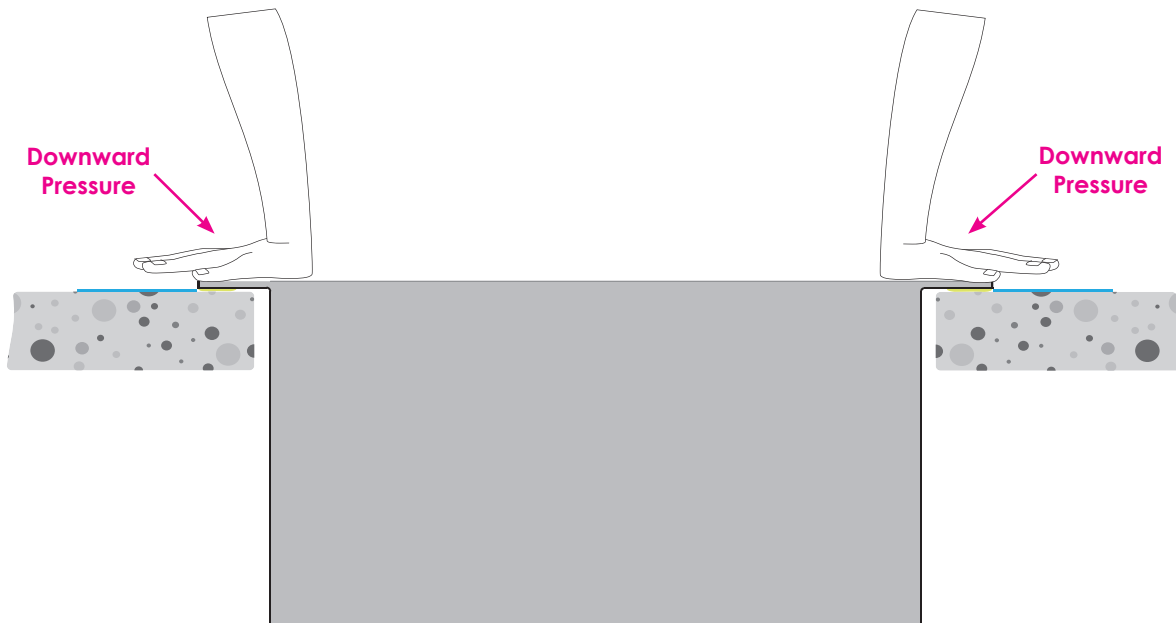
Butter coat the underside of the sink rim with a thin coat of silicone on all four sides.



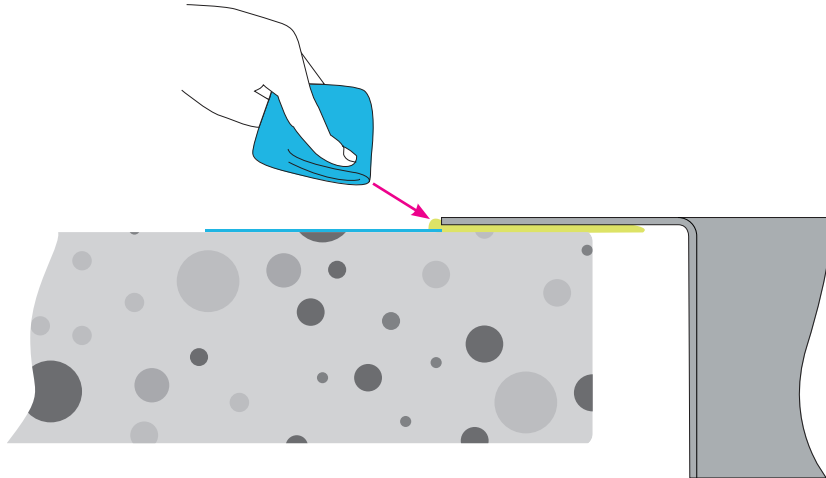
Carefully place sink back into the countertop opening and align to the blue tape guide to ensure it is perfectly square with the counter top.



Apply gentle and even downward pressure to the top of the sink rim to allow silicon to set.

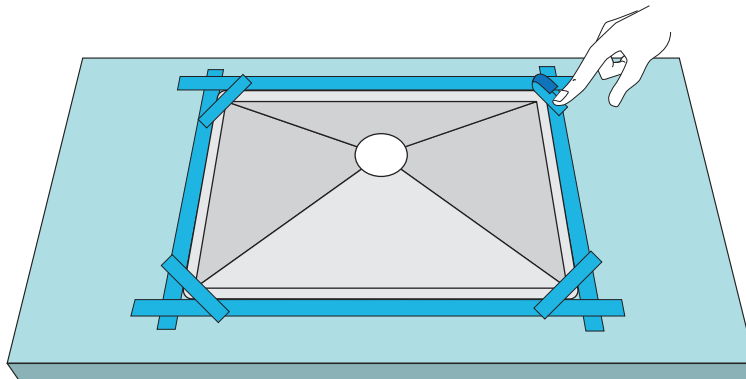


Using a lint-free cloth, wipe off excess silicone on the countertop.



## STEP 5: SECURE SINK

Apply blue painters tape to four corners of the sink rim to keep sink from moving out of alignment.

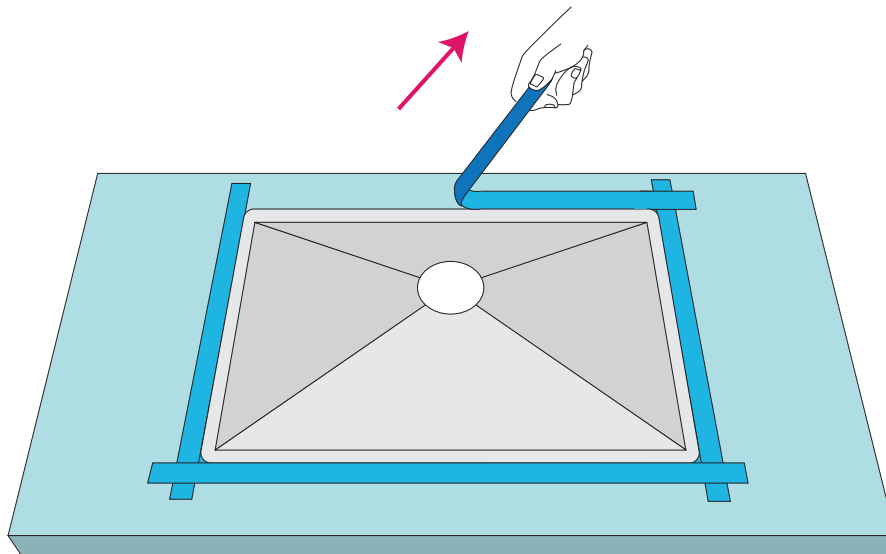
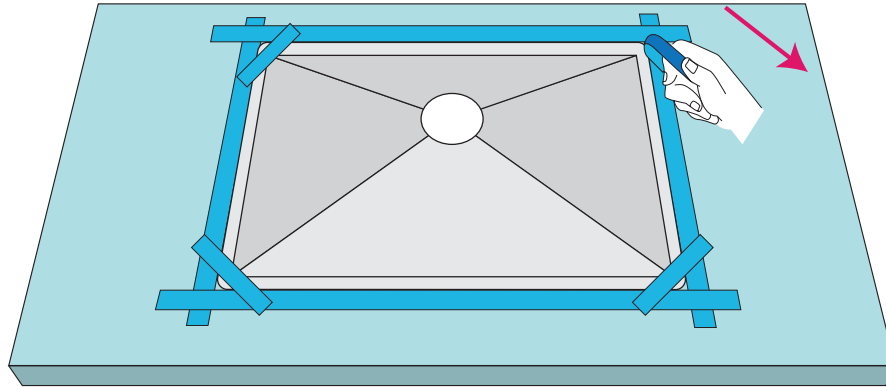


**\* Allow 24 hours for the silicone to cure.**



**STEP 6: FINAL STEP**

Peel off all of the blue painters tape.



**The installation is now complete.  
Please enjoy your sink!**