

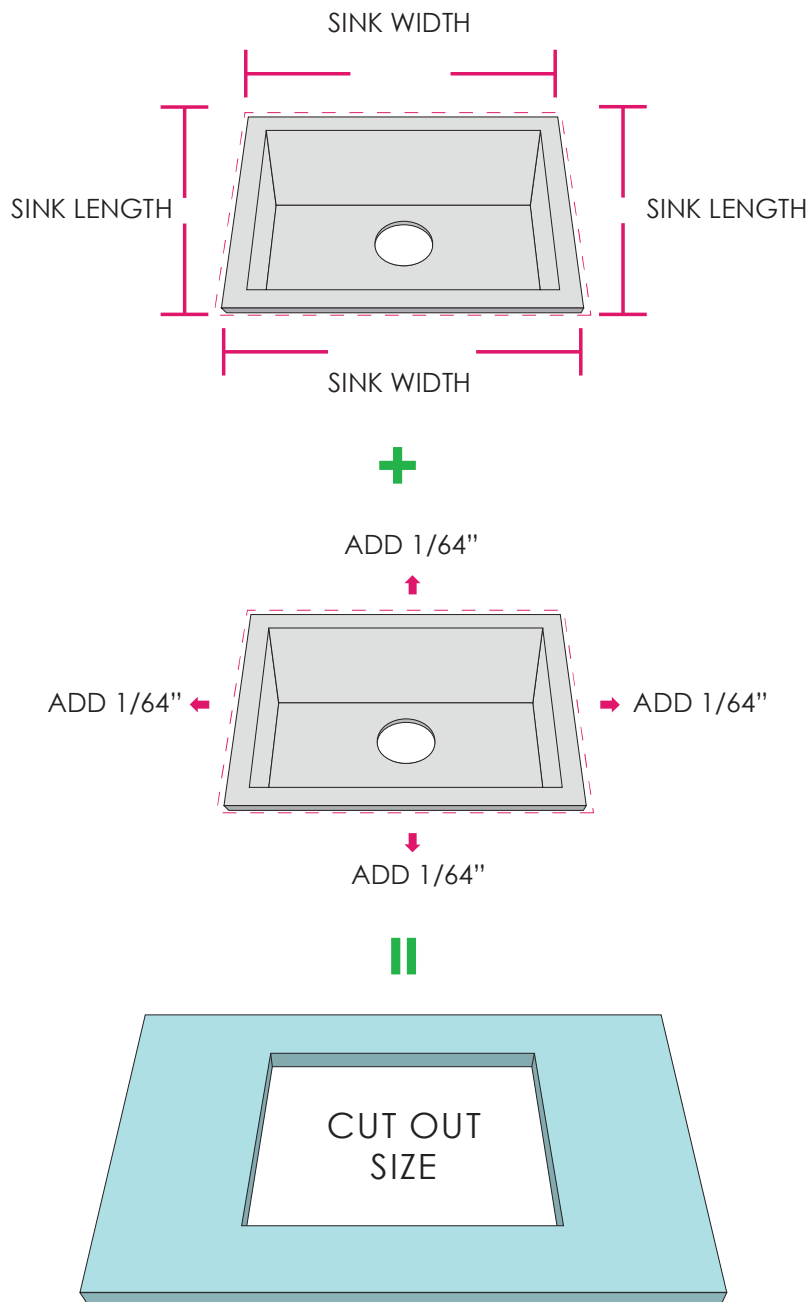
Step 1: CUTTING SINK OPENING

Carefully measure the perimeter of the sink frame of the sink you received, then add 1/64" to all four sides. This is the dimension of the sink opening to be cut on the countertop. [See diagram below.](#)

*** PROFESSIONAL STONE FABRICATOR USING CNC ROUTER OR WATERJET ARE PREFERRED TO PERFORM THIS SINK CUTOUT.**

*** THE SINK CAN BE CUT BY PROFESSIONAL STONE FABRICATOR USING WET SAW CUTTING METHOD.**

*** FOR CNC FABRICATORS YOU CAN DOWNLOAD DXF FILE FOR THE SINK YOU ARE INSTALLING FROM OUR WEBSITE.**

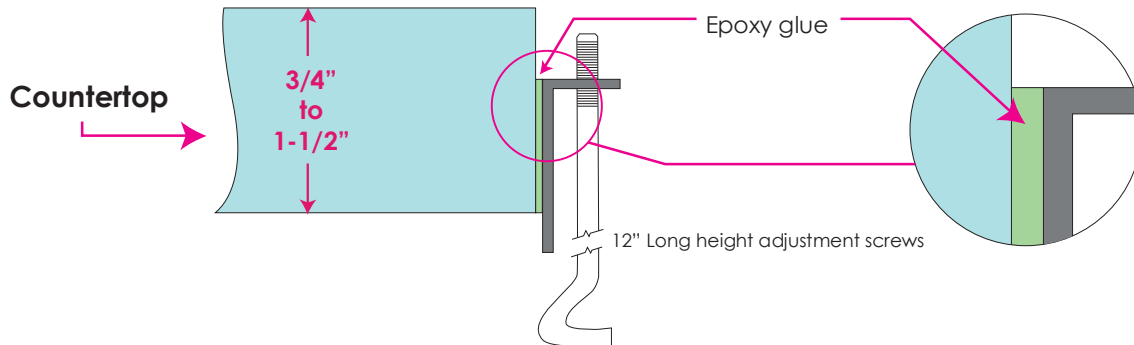


Step 2: SUPPORT BRACKET INSTALLATION

IMPORTANT

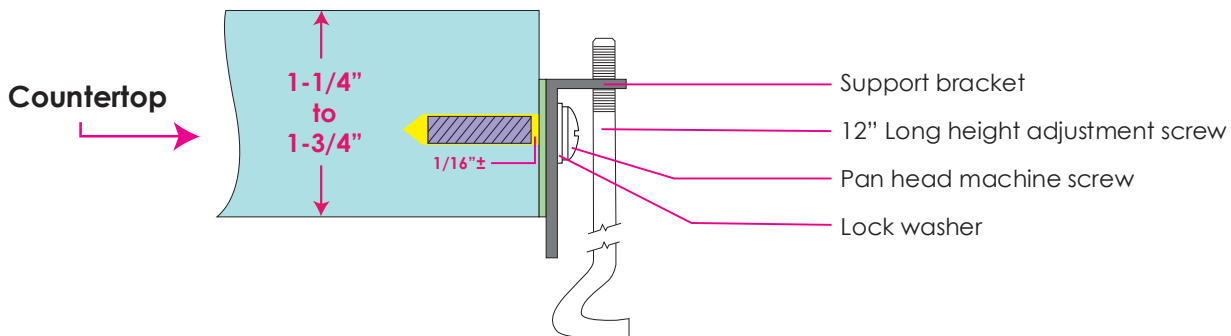
*** MUST USE 2 PART COMMERCIAL GRADE EPOXY AT 3500 PSI OR HIGHER.**
 Follow manufacturer's recommended curing time to allow epoxy to set and cure properly.

2a: EXPOXY INSTALLATION



2b: ANCHORING INSTALLATION

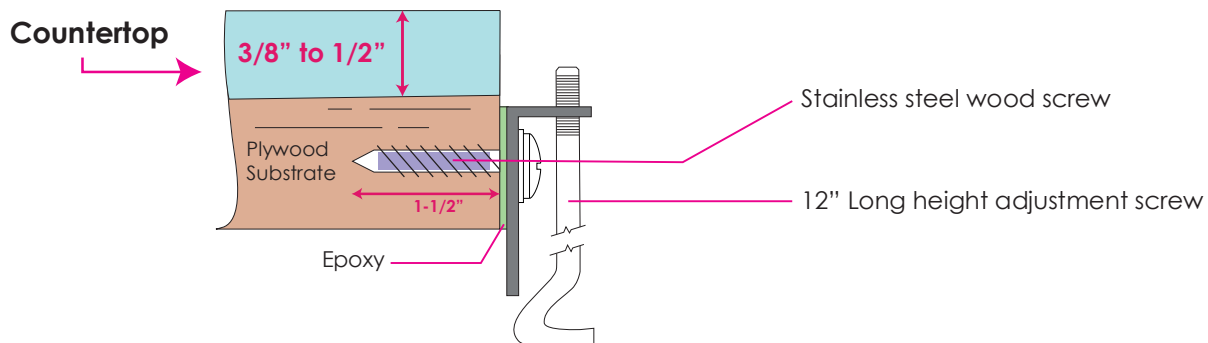
Make sure anchors are setback approximately $1/16$ " from the edge of the countertop as per diagram. Secure support brackets into place. Must use supplied lock washers and screws.



2c: PORCELAIN COUNTERTOP INSTALLATION

For Porcelain and thinner counter top material.

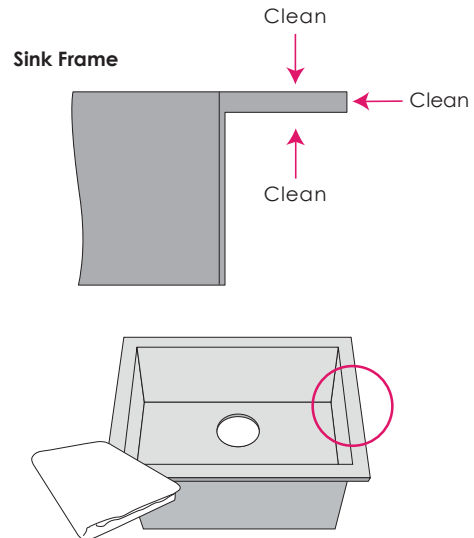
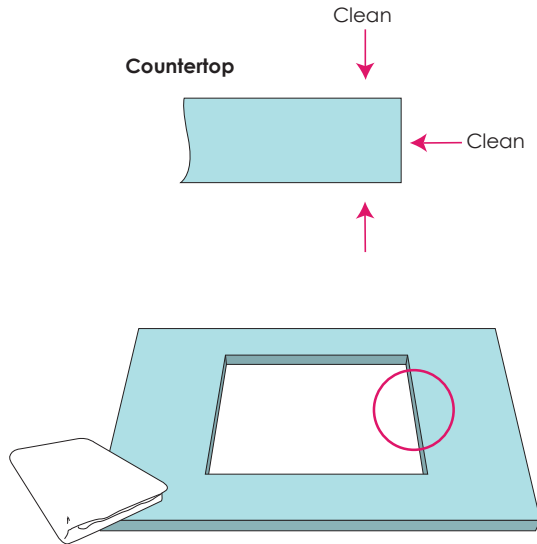
*** THIS PROCEDURE REQUIRES 5/8" TO 3/4" WATERPROOF OR MARINE GRADE OF PLYWOOD TO BE PLACED UNDER THE PORCELAIN COUNTER TOP.**



Step 3: PROTECTION

Step 3a: SINK & COUNTER CLEANING

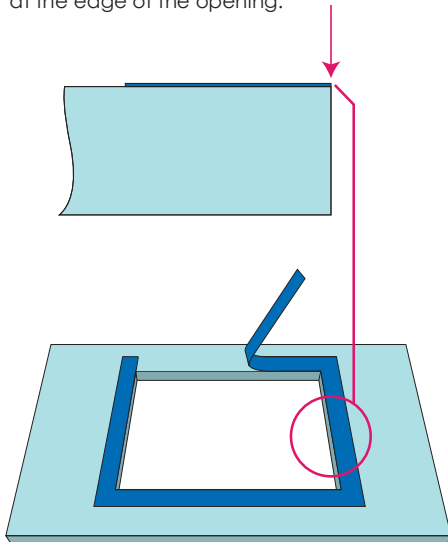
Gently clean the countertop and sink frame to remove all dirt, oil, and contaminants from the surfaces. Do not use any abrasive cleaning solutions that may damage the countertop surface and sink frame.



Step 3b: SINK & COUNTER TOP TAPE APPLICATION

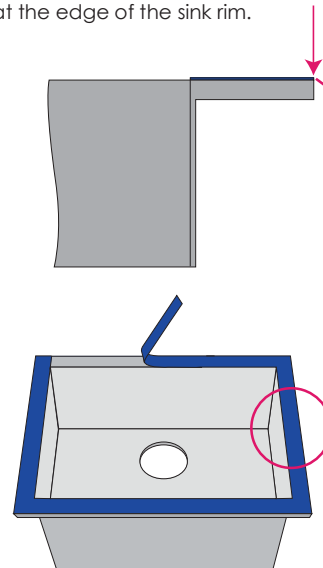
Once the countertop is cleaned, using blue painter's tape neatly tape all edges of the opening on the countertop. Be sure to tape up to, but not over the inside edge of the sink opening.

Blue painter's tape stops precisely at the edge of the opening.



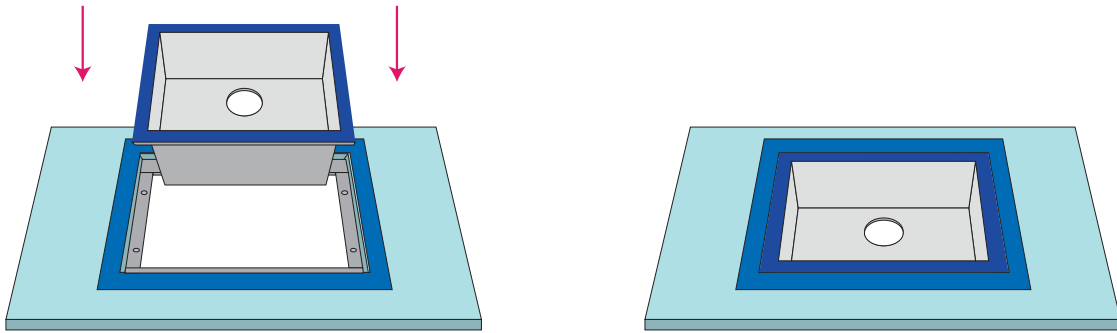
Apply the tape to the top of the sink's rim. Make sure to tape up to the sink rim's outer edge but not over.

Blue painter's tape stops precisely at the edge of the sink rim.

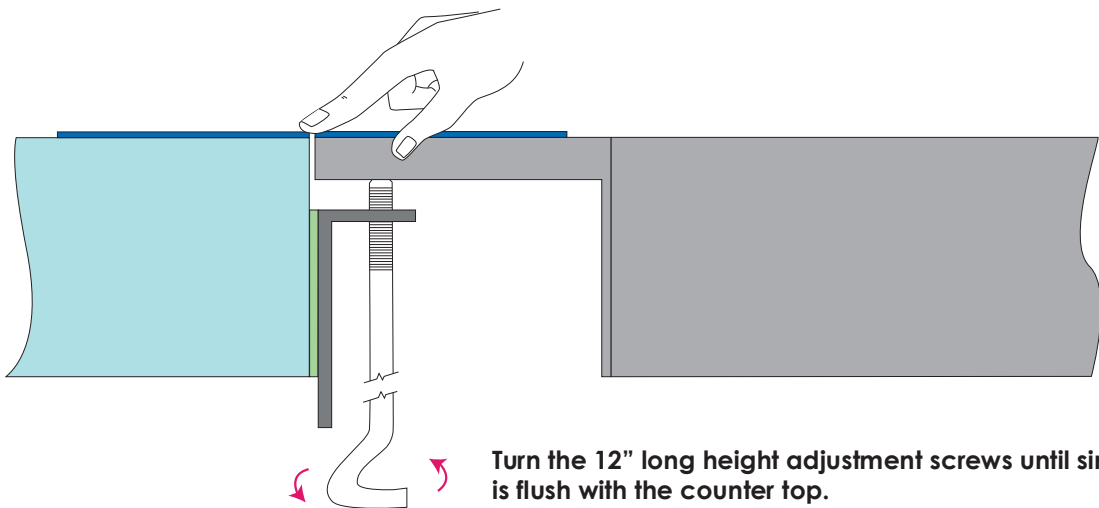


Step 4: SINK DRY FITTING

After protective tape are applied to sink rim and counter top. Carefully place the sink back into the sink opening.

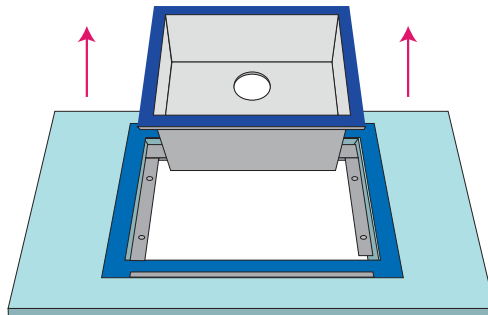


***Use your finger to check if the sink is flush with the countertop.**



*** MAKE SURE ALL FOUR SIDES OF THE SINK SIT FLUSH WITH THE COUNTERTOP.**

Once the sink rim is 100% flush with the countertop remove the sink from the sink opening.

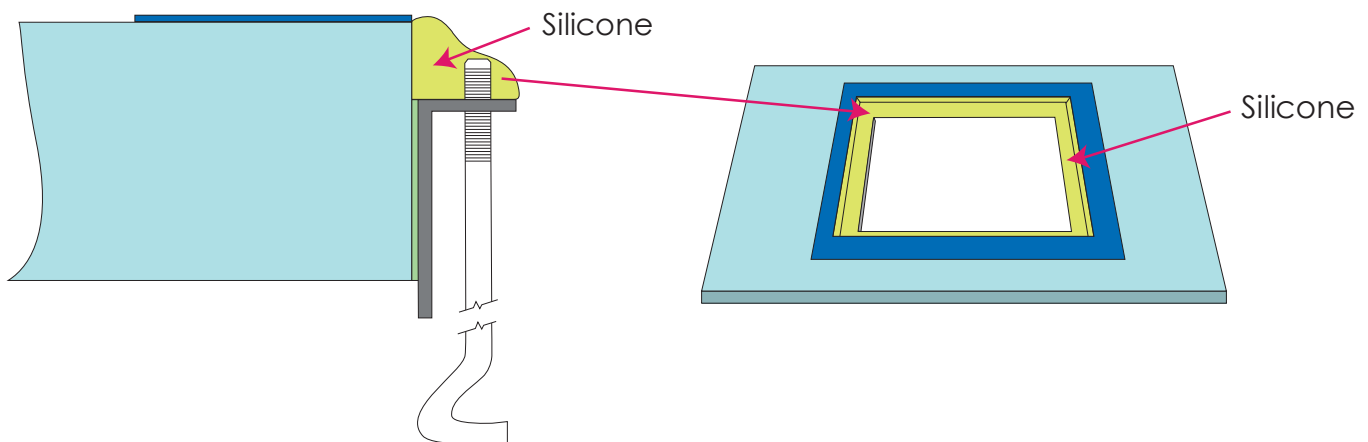


Step 5: SILICONE INSTALLATION

1. **MUST use 100% silicone for this installation.**
2. **Silicone must match countertop color as close as possible.**
 - * There are many company supply and stock 100s of silicon colors. Below is one example.
- **Color Rite, Inc.** <http://www.colorriteinc.com/>
3. **NEVER USE "SILVER" SILICONE OR CLEAR SILICONE**
4. **NEVER perform this procedure outdoor and under sunlight or under rain.**
5. **If performed under extremely hot and dry climate, this step should be performed by two persons to shorten installation time.**

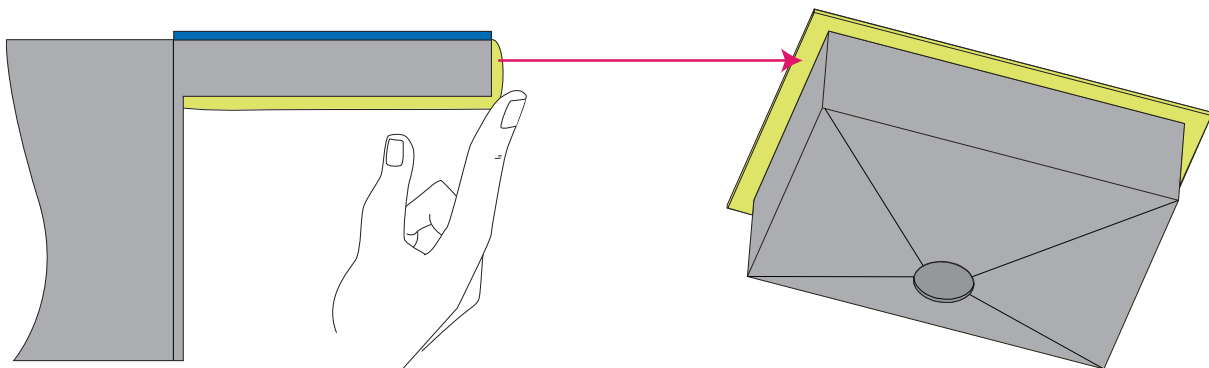
5a: BRACKET CAULKING

Apply a generous amount of 100% silicone on the top of the support bracket and on the inside edge of the countertop on all four sides. See diagram below.



5b: RIM CAULKING APPLICATION

Apply a thin coat of silicon, "butter coating", on the bottom and side of the sink rim on all four sides.
*See diagram below.



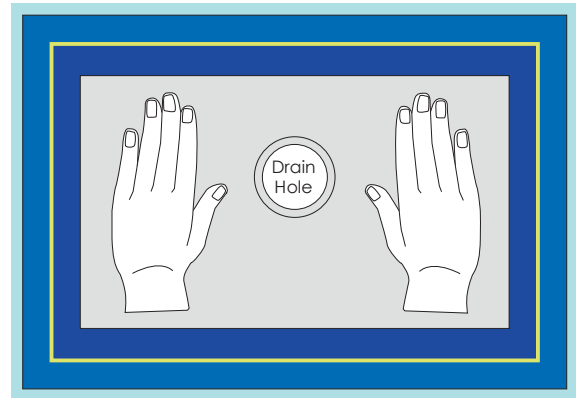
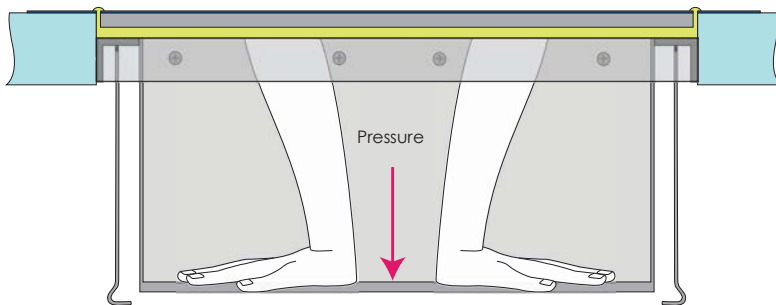
*** Once Step 5a an 5b is completed, proceed immediately to Step 5c.**

Step 5c: SINK INSTALLATION

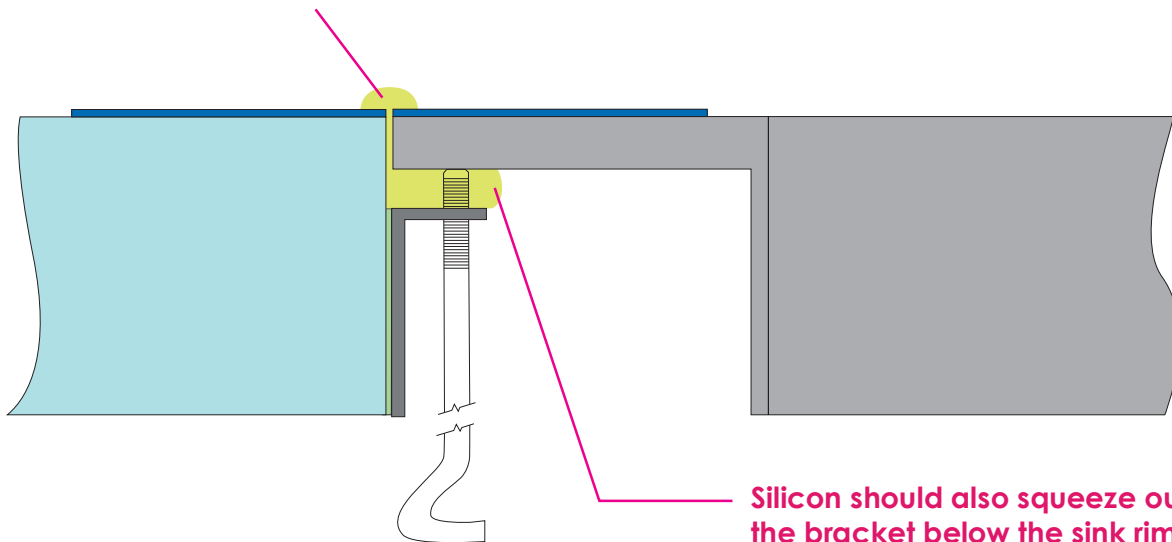
Once step 5a and 5b are completed, carefully place the sink back into the countertop opening. Apply gentle and even pressure at the bottom of the bowl by using your body weight. When the sink stops moving downward and the sink is flushed with the countertop **STOP!**

Press down firmly

Downward pressure ONLY.



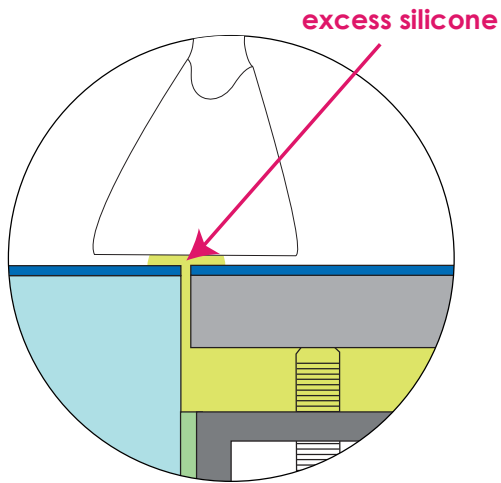
***Extra silicon must squeeze out from the seam between the sink rim and the counter top.**
This creates an impenetrable seal between sink rim and countertop.



*** Once Step 5c is completed, proceed immediately to Step 5d.**

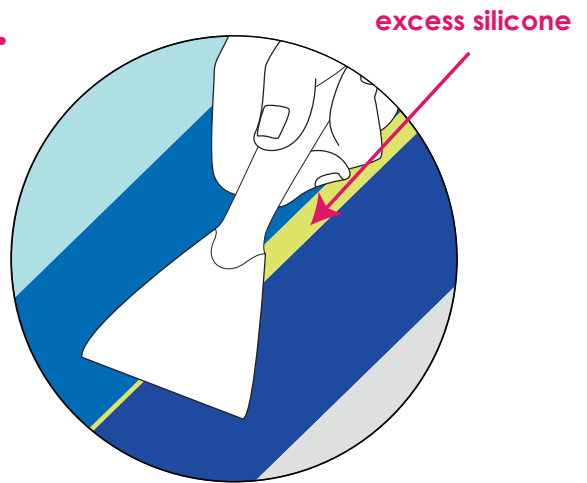
Step 5d: CLEANING SILICONE

1.



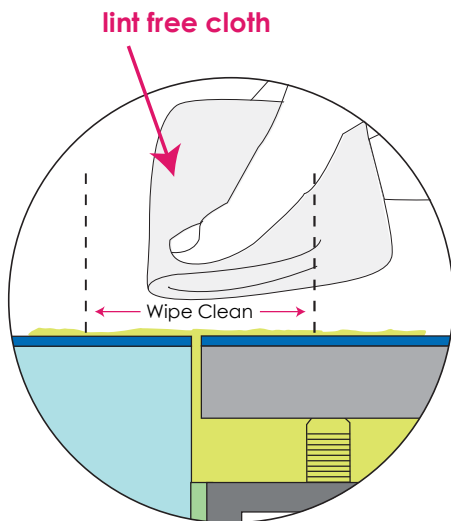
Use a **PLASTIC** putty knife.

2.



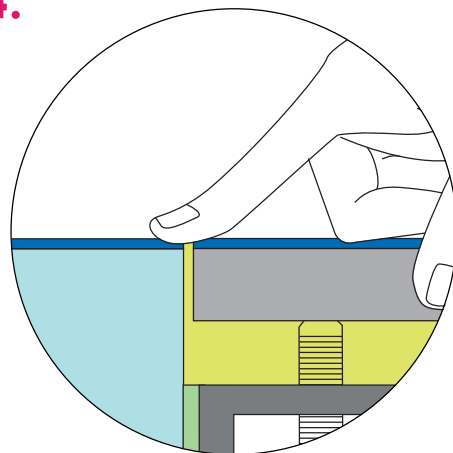
Scrape off the excess silicone.

3.



Lightly wipe off residual silicon on and around the seam.

4.

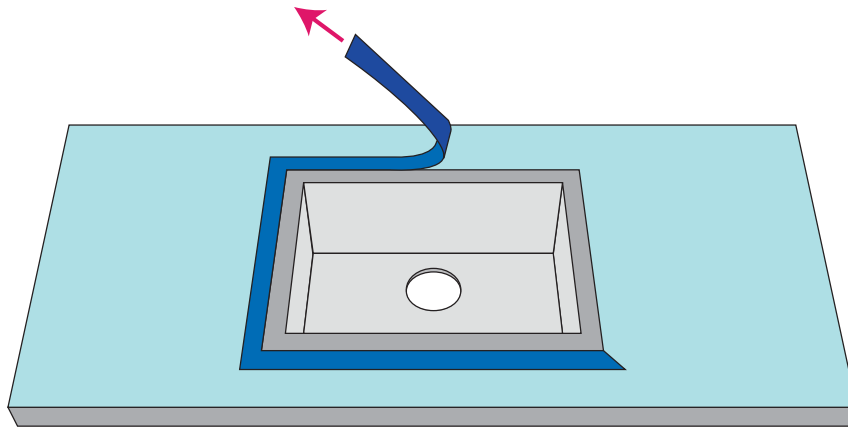


Use a mixture of **25% dish detergent** and **75% water**. Wet your fingers and firmly run your finger over the seam to smooth out the silicon.

5e: COUNTERTOP TAPE REMOVAL

Carefully remove the blue painter's tape from the countertop.

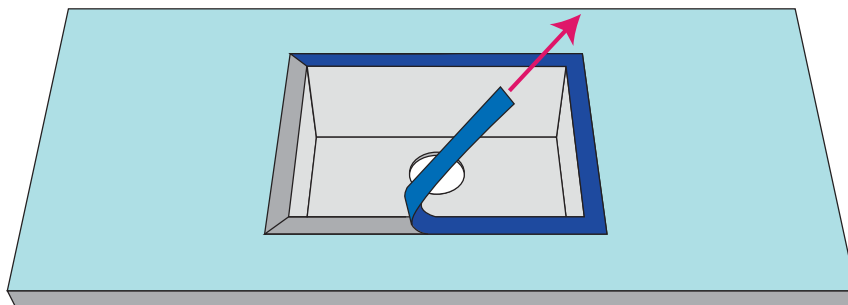
Remove the tape on the countertop by pulling **AWAY** from the sink.



5f: SINK'S RIM TAPE REMOVAL

Carefully remove the blue painter's tape from the sink's rim.

Remove the tap on the sink's rim by pulling **TOWARDS** the sink and away from the seam.



Final Step: Screw Removal

*** PLEASE FOLLOW SILICON MANUFACTURER'S CURING TIME AND PROCEDURE.**



*** Once the silicone has cured, remove the height adjustment screws.**



The installation is now complete. Please enjoy your sink!

MILA INTERNATIONAL MAKES NO WARRANTIES, EXPRESSED OR IMPLIED, INCLUDING BUT NOT LIMITED TO ANY WARRANTY OF MERCHANTABILITY OR OF FITNESS FOR A PARTICULAR PURPOSE, AS TO THE INFORMATION CONTAINED HERE IN OR THE PRODUCTS DESCRIBED HERE IN.