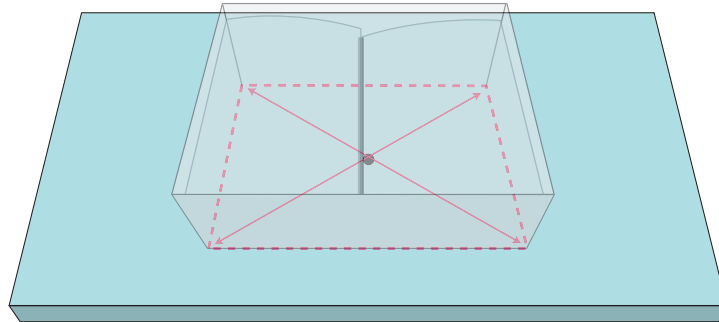


STEP 1: CUTTING OPENING

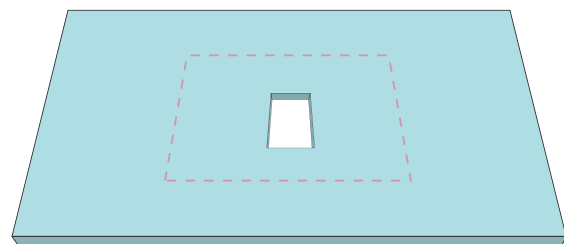
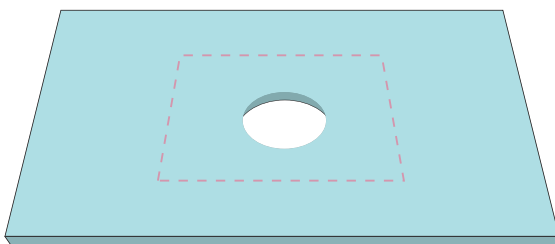
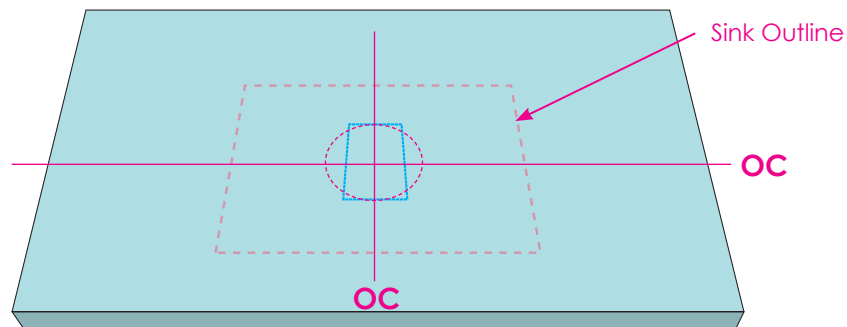
IMPORTANT

* Only a professional stone fabricator is qualified to perform this installation.

Determine the exact location where the sink is going to be installed.



* A 4" x 8" rectangular or 8" round cutout is required for installing the top mounting sink.

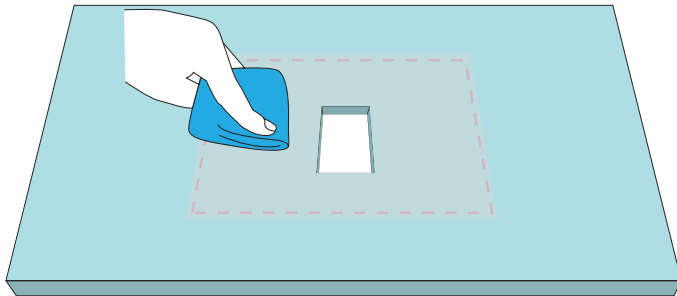


* Once the sink cutout size and location is confirmed proceed to cut the sink opening on the counter top.

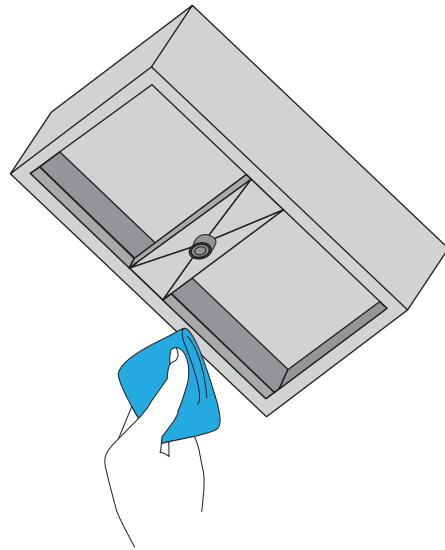
STEP 2: CLEANING

Gently clean the countertop and the sink rim to remove dirt, oil and contaminants from the surfaces. Do not use any abrasive cleaning solutions that may damage the counter top surface or sink.

1. Clean the top of the countertop



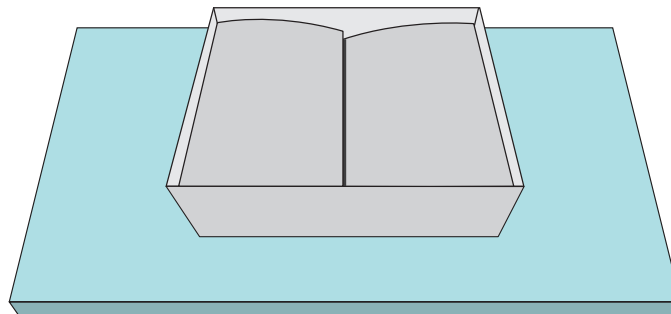
2. Clean the underside of the sink frame



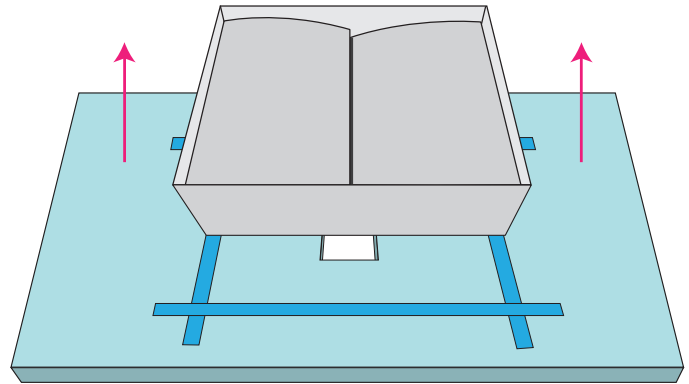
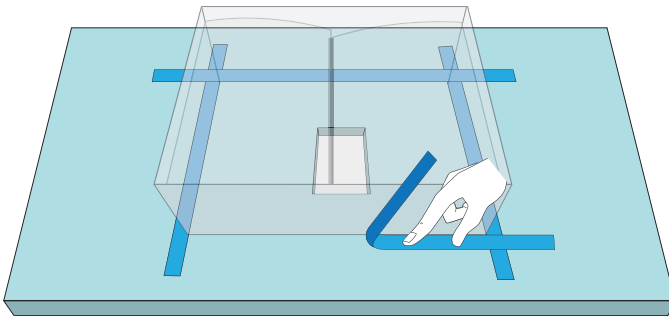
STEP 3: PRE INSTALLATION PREPARATION

STEP 3A: SINK ALIGNMENT

Carefully place sink on the counter top and align it correctly ensuring that it sits square and at the final installed position.



Apply blue tape to the counter top to accurately outline the sinks final installed position. After blue tape is applied, remove the sink from the counter top leaving the blue tape as guide for final installation.

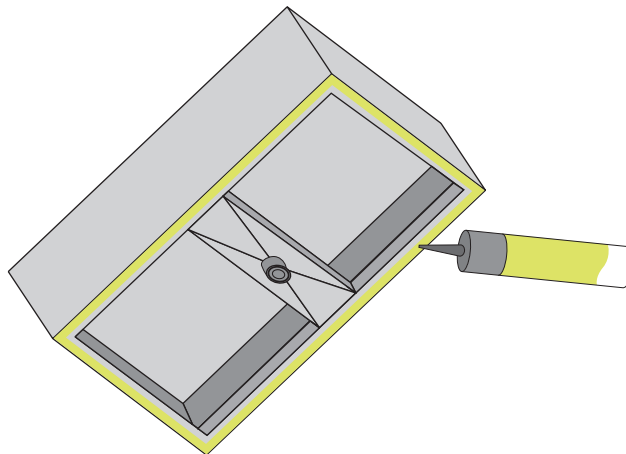


STEP 4: FINAL INSTALLATION

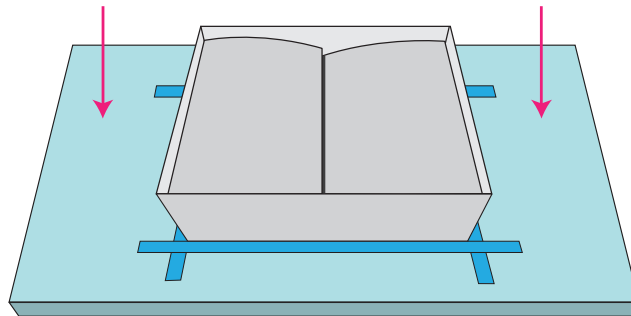
IMPORTANT

- * **MUST use 100% silicone for this installation.**
- * **Silicone color should match counter top color as close as possible.**
- * **If there is NO matching color to the counter top, use CLEAR silicone.**
- * **NEVER use "SILVER" silicone.**
- * **NEVER perform this procedure outdoors or under sunlight.**

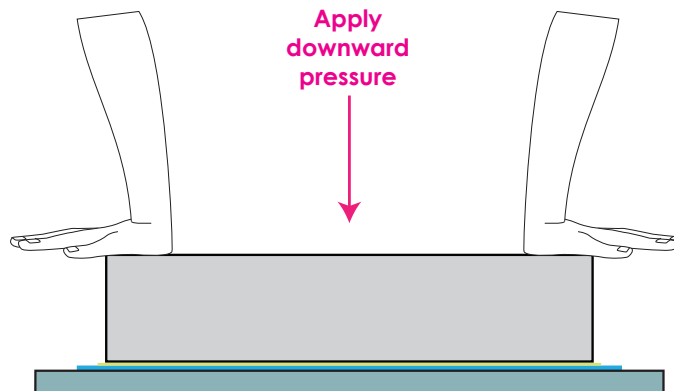
Butter coat the underside of the sink frame with a thin coat of silicone on all four sides.



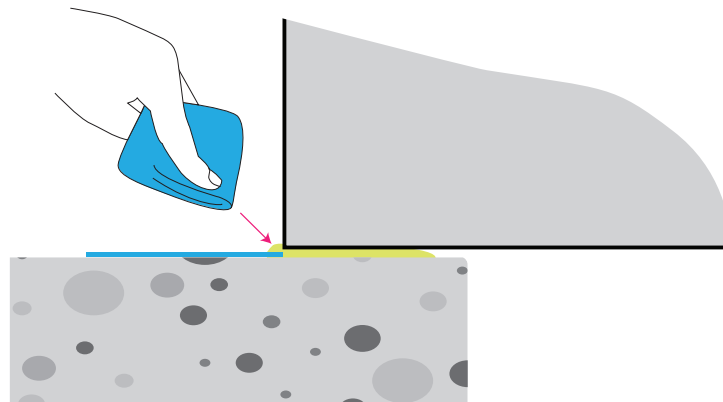
Carefully place sink back into the countertop opening and align to the blue tape guide to ensure it is perfectly square with the counter top.



Apply firm and even downward pressure to the top of the sink frame using your bodyweight to set the sink to the counter top.

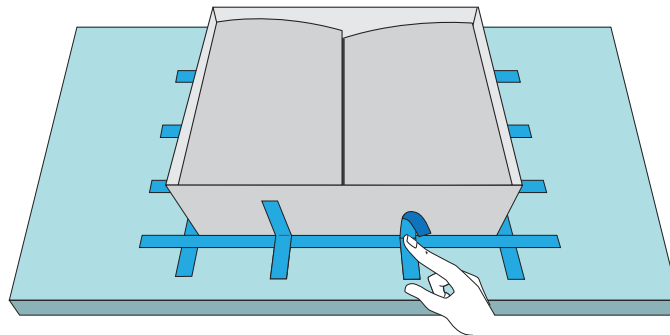


Using a lint-free cloth, immediately wipe off excess silicone on the countertop.

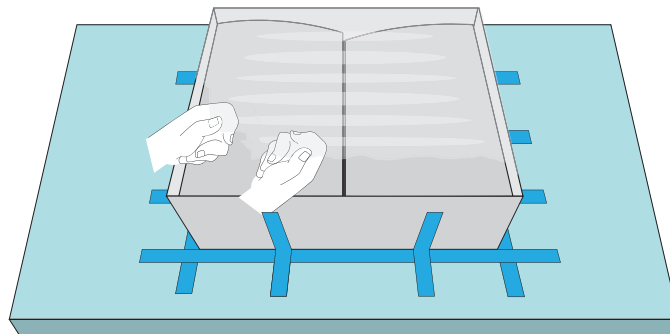


STEP 7: SECURING THE SINK

Apply blue painters tape to all four sides of the sink frame to keep sink from moving out of alignment.



Carefully cover the sink with a protective cover sheet.



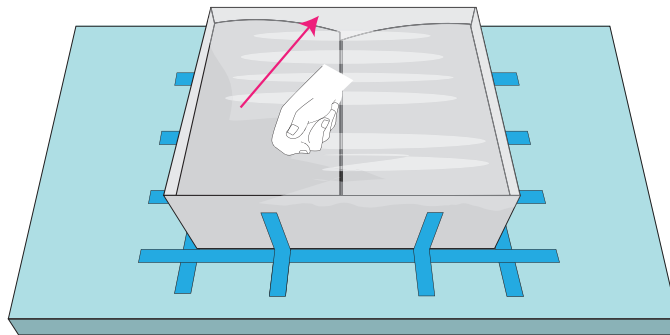
*** Allow 24 - 48 hours for the silicone to set.**



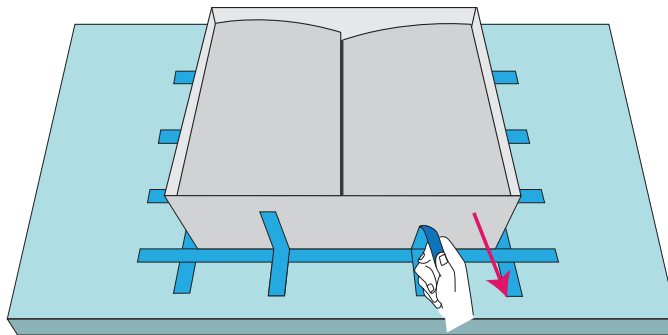
STEP 8: REMOVE BLUE TAPE

Peel off protective cover sheet and all of the blue painters tape.

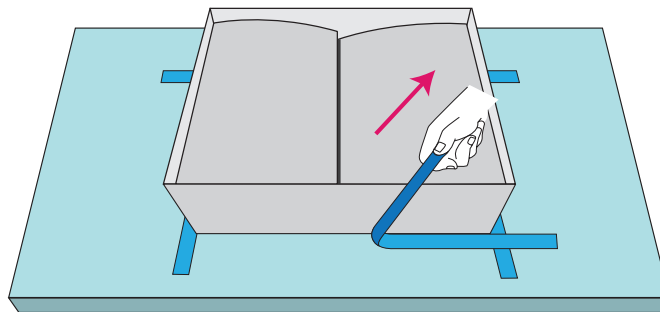
1.



2.



3.



**The installation is now complete.
Please enjoy your sink!**