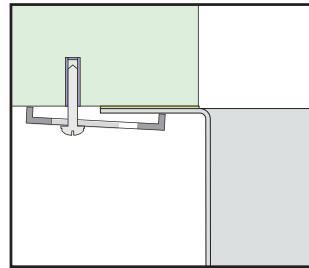
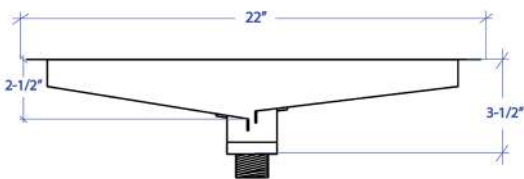
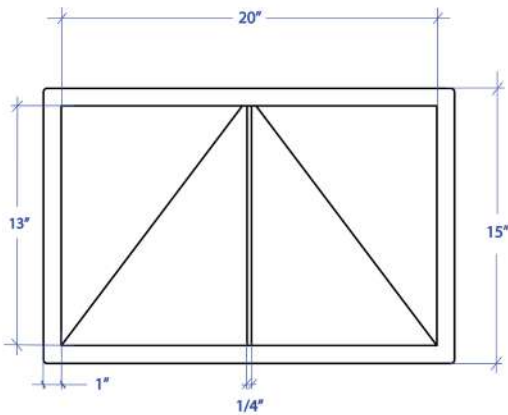


*ADA compliant

- **FEATURES**
16-gauge type 304 stainless steel
1/4" slotted drain
- **TECHNICAL INFORMATION**
External dimension: 22"Lx15"Wx3.5"D
Basin dimensions: 20"Lx13"Wx2.5"D
- **FINISHES**
Gold PVD Satin Brushed stainless steel
- **INSTALLATION OPTIONS**
Under-mount



Under-mount



PROJECT INFORMATION			
Project			
Date	/ /	QTY	
Specifier			
Contact			
Note			