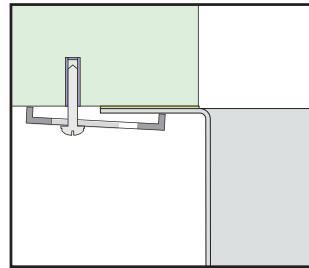
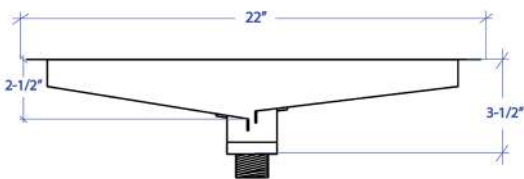
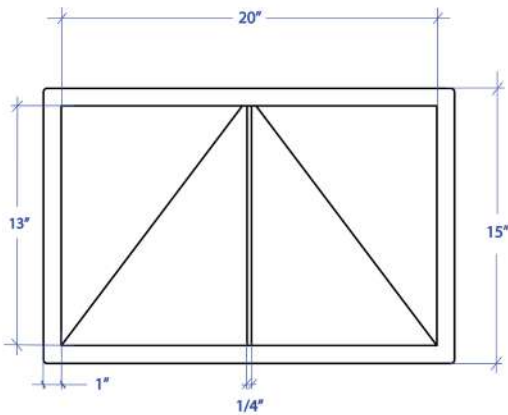


*ADA compliant

- FEATURES**
 16-gauge type 304 stainless steel
 1/4" slotted drain
- TECHNICAL INFORMATION**
 External dimension: 22"Lx15"Wx3.5"D
 Basin dimensions: 20"Lx13"Wx2.5"D
- FINISHES**
 Satin Brushed stainless steel
- INSTALLATION OPTIONS**
 Under-mount



Under-mount



PROJECT INFORMATION			
Project			
Date	/ /	QTY	
Specifier			
Contact			
Note			