

# CUTTING BOARD MWCB-651BB



## FEATURES

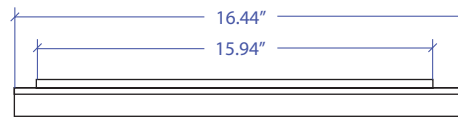
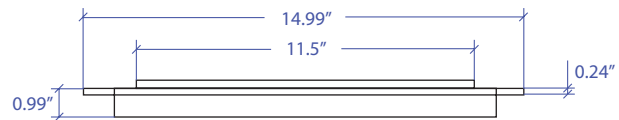
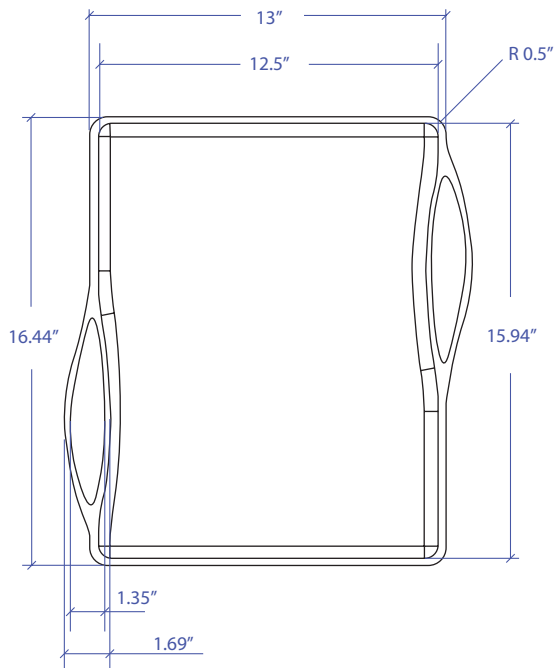
- Stainless Steel Construction
- Removable Cutting Board

## TECHNICAL INFORMATION

- Dimension: 16.44" L x 14.99" W
- Thickness: 0.24"
- Corner: 0.5" Round

## FINISHES

- Satin Brushed Stainless Steel
- Natural Bamboo



PROJECT INFORMATION			
Project			
Date	/	/	QTY
Specifier			
Contact			
Note			