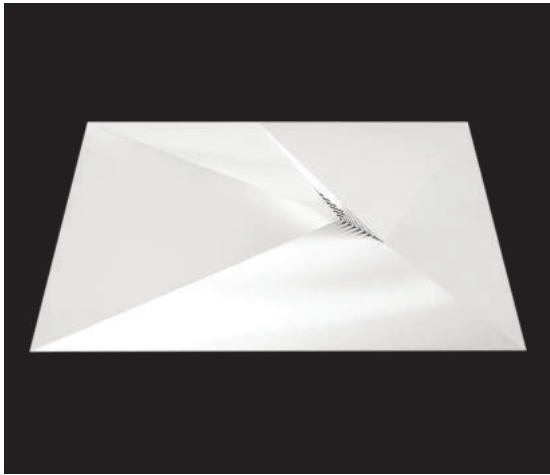


STARBURST MSUB-302W



*ADA compliant

FEATURES

- 16-gauge type 304 stainless steel
- 1/4" slotted drain

TECHNICAL INFORMATION

- External dimension: 22" L x 15" W x 5" D
- Basin dimension: 20" L x 13" W x 3" D

FINISHES

- White Powder Coated

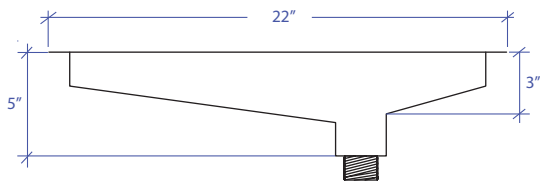
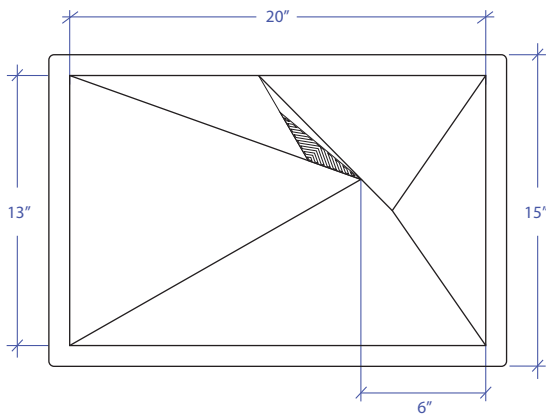
INSTALLATION OPTIONS

- Under-mount

INSTALLATION TYPE



Under-mount



| PROJECT INFORMATION | | | |
|---------------------|-----|-----|--|
| Project | | | |
| Date | / / | QTY | |
| Specifier | | | |
| Contact | | | |
| Note | | | |