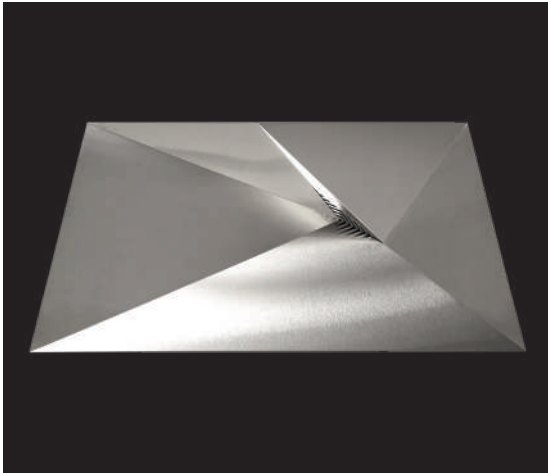


STARBURST MSUB-302SB



*ADA compliant

FEATURES

- 16-gauge type 304 stainless steel
- 1/4" slotted drain

TECHNICAL INFORMATION

- External dimension: 22" L x 15" W x 5" D
- Basin dimension: 20" L x 13" W x 3" D

FINISHES

- Satin Brushed stainless steel

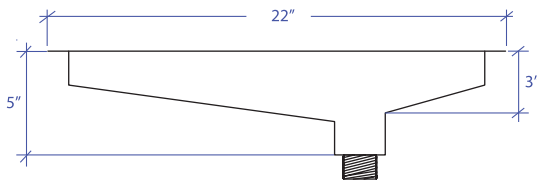
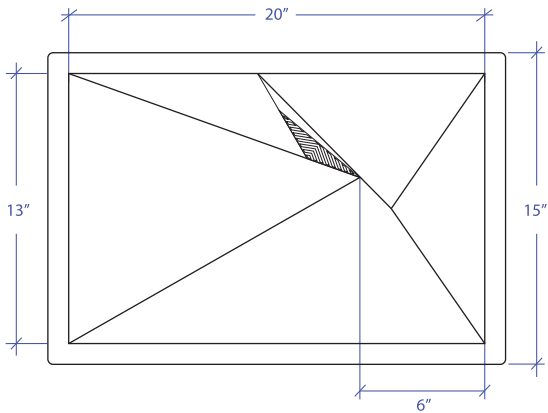
INSTALLATION OPTIONS

- Under-mount

INSTALLATION TYPE



Under-mount



PROJECT INFORMATION

Project			
Date	/ /	QTY	
Specifier			
Contact			
Note			